

SymmeTry Panel With No Clip Relief

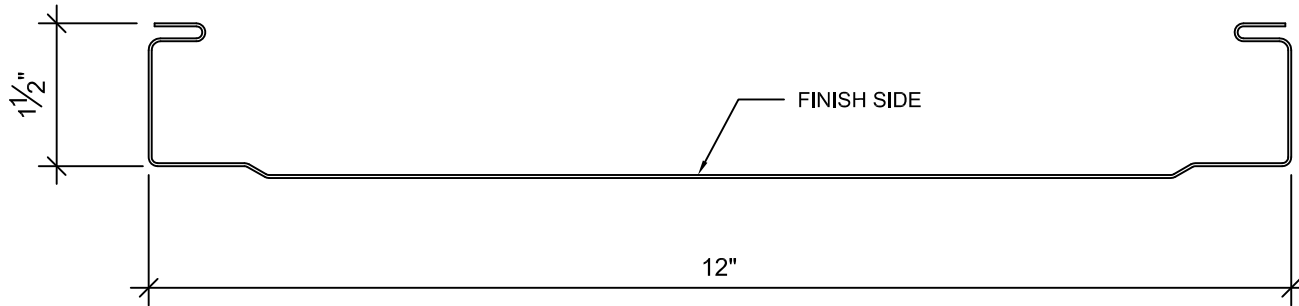
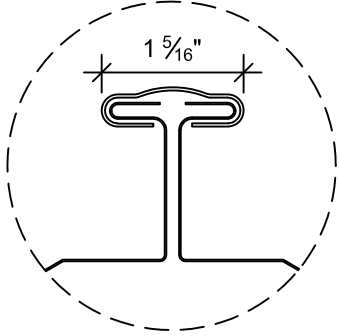
**NOTES:**

1. ALL DIMENSIONS ARE NOMINAL. PANEL PROFILES MAY NOT BE TO SCALE
2. DIMENSIONS AND ANGLES MAY VARY SLIGHTLY BETWEEN GAUGES.
3. THE CUSTOMER IS RESPONSIBLE FOR ALL INFORMATION ON THIS DOCUMENT.

NOT TO SCALE



	<b>APPROVED BY:</b>	DATE:	JOB NO.:	SYM1.5-12
	CUSTOMER:		JOB NAME:	
	COLOR:		SMOOTH <input type="checkbox"/> EMBOSSED <input type="checkbox"/>	P.N.: -
	GAUGE:		<b>INSTALLATION:</b> HORIZ. <input type="checkbox"/> VERT. <input type="checkbox"/>	
	BACKSIDE EXPOSED:	YES <input type="checkbox"/> NO <input type="checkbox"/>	FACTORY CAULK:	YES <input type="checkbox"/> NO <input type="checkbox"/>



SymmeTry Panel With Clip Relief

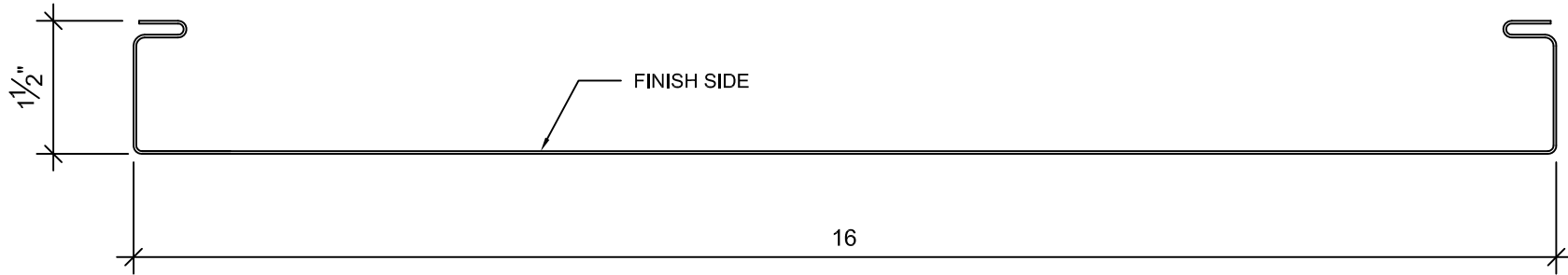
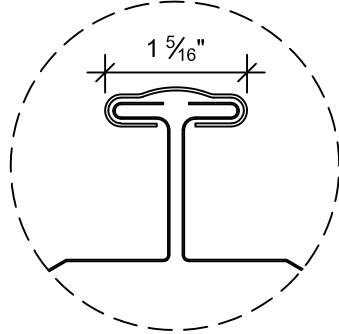
**NOTES:**

1. ALL DIMENSIONS ARE NOMINAL. PANEL PROFILES MAY NOT BE TO SCALE
2. DIMENSIONS AND ANGLES MAY VARY SLIGHTLY BETWEEN GAUGES.
3. THE CUSTOMER IS RESPONSIBLE FOR ALL INFORMATION ON THIS DOCUMENT.

NOT TO SCALE



	<b>APPROVED BY:</b>	DATE:	JOB NO.:	SYM1.5-12
	CUSTOMER:		JOB NAME:	
	COLOR:		SMOOTH <input type="checkbox"/> EMBOSSED <input type="checkbox"/>	P.N.: -
	GAUGE:		<b>INSTALLATION:</b> HORIZ. <input type="checkbox"/> VERT. <input type="checkbox"/>	
	BACKSIDE EXPOSED:	YES <input type="checkbox"/> NO <input type="checkbox"/>	FACTORY CAULK:	YES <input type="checkbox"/> NO <input type="checkbox"/>

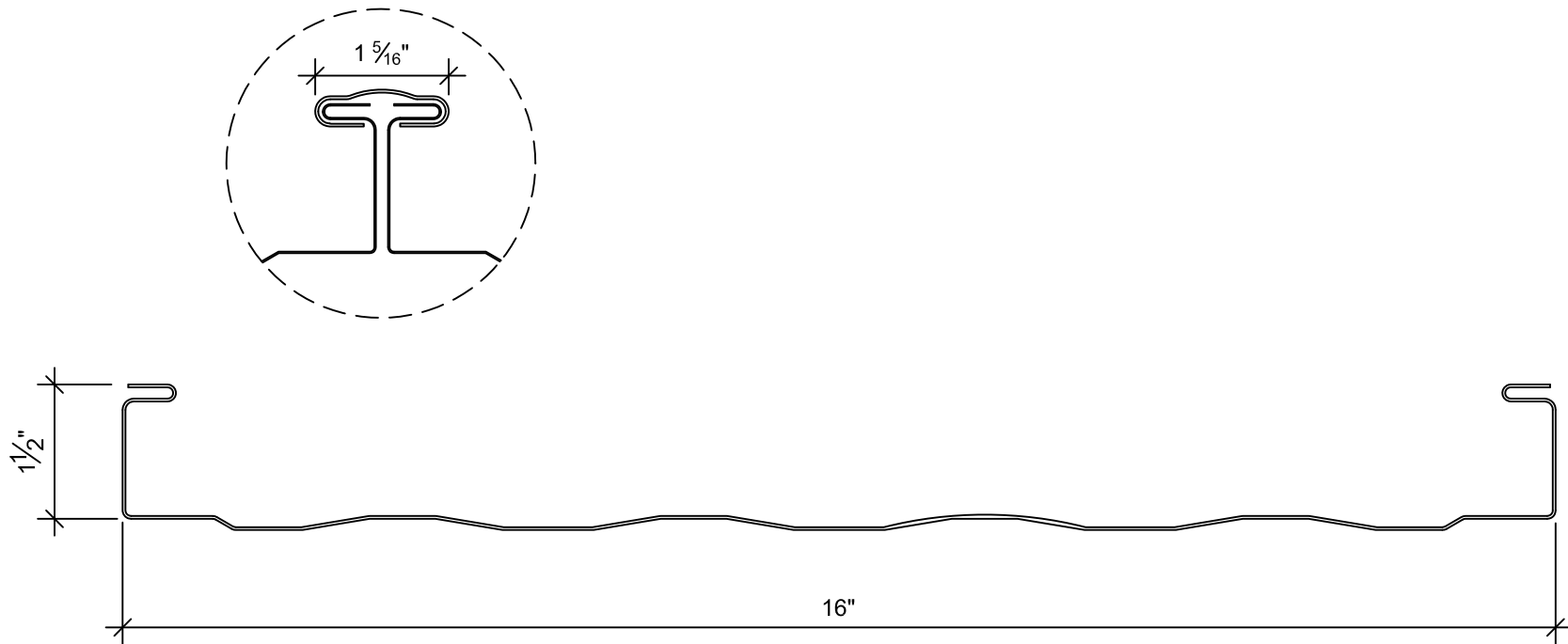


SymmeTry Panel With No Clip Relief

- NOTES:**
1. ALL DIMENSIONS ARE NOMINAL. PANEL PROFILES MAY NOT BE TO SCALE
  2. DIMENSIONS AND ANGLES MAY VARY SLIGHTLY BETWEEN GAUGES.
  3. THE CUSTOMER IS RESPONSIBLE FOR ALL INFORMATION ON THIS DOCUMENT.

NOT TO SCALE

	<b>APPROVED BY:</b> _____	<b>DATE:</b> _____	<b>JOB NO.:</b> _____	SYM1.5-16
	<b>CUSTOMER:</b> _____	<b>JOB NAME:</b> _____	<b>SMOOTH</b> <input type="checkbox"/> <b>EMBOSSSED</b> <input type="checkbox"/>	<b>P.N.:</b> -
	<b>COLOR:</b> _____	<b>INSTALLATION:</b> HORIZ. <input type="checkbox"/> VERT. <input type="checkbox"/>	<b>FACTORY CAULK:</b> YES <input type="checkbox"/> NO <input type="checkbox"/>	<b>REV.:</b> JAN-2017
	<b>GAUGE:</b> _____	<b>BACKSIDE EXPOSED:</b> YES <input type="checkbox"/> NO <input type="checkbox"/>		



**SymmeTry Panel - Striated With Clip Relief**

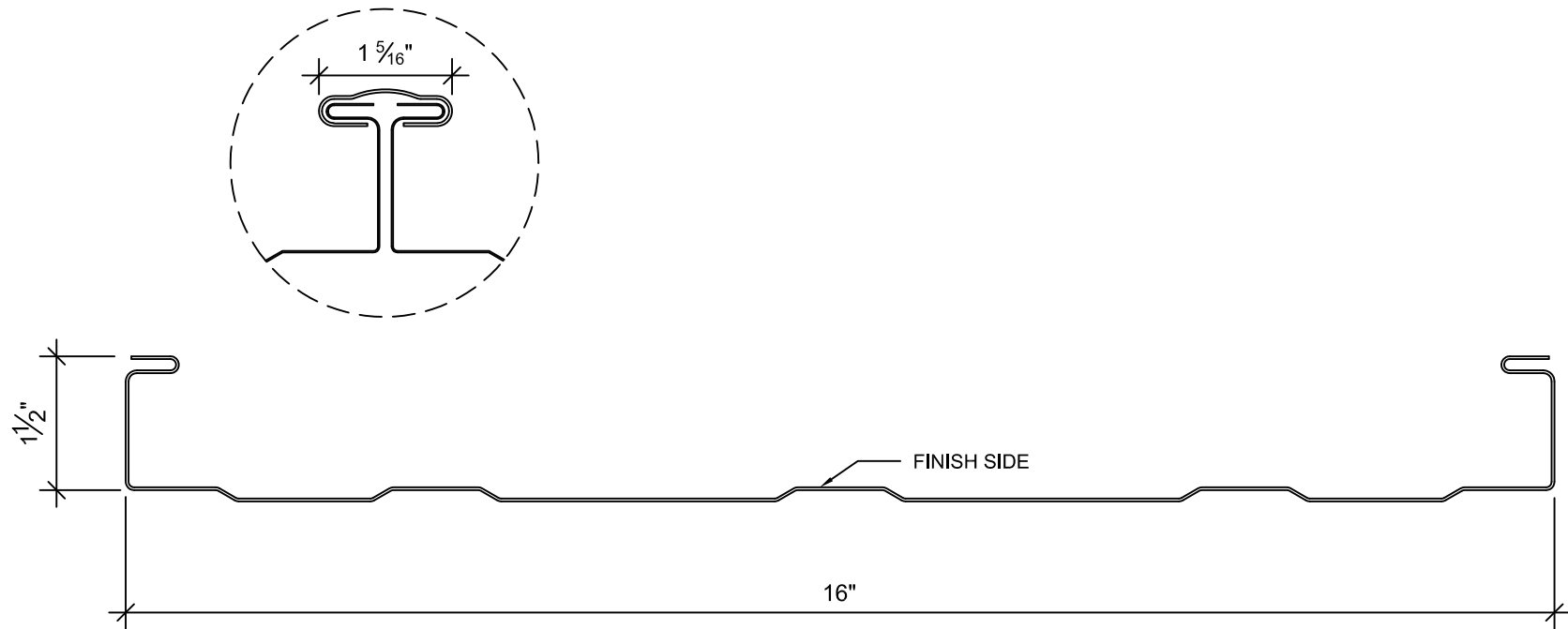
**NOTES:**

1. ALL DIMENSIONS ARE NOMINAL. PANEL PROFILES MAY NOT BE TO SCALE
2. DIMENSIONS AND ANGLES MAY VARY SLIGHTLY BETWEEN GAUGES.
3. THE CUSTOMER IS RESPONSIBLE FOR ALL INFORMATION ON THIS DOCUMENT.

NOT TO SCALE



	<b>APPROVED BY:</b>	DATE:	JOB NO.:	SYM1.5-16
	CUSTOMER:		JOB NAME:	
	COLOR:		SMOOTH <input type="checkbox"/> EMBOSSED <input type="checkbox"/>	P.N.: -
	GAUGE:		<b>INSTALLATION:</b> HORIZ. <input type="checkbox"/> VERT. <input type="checkbox"/>	
	BACKSIDE EXPOSED:	YES <input type="checkbox"/> NO <input type="checkbox"/>	FACTORY CAULK: YES <input type="checkbox"/> NO <input type="checkbox"/>	



SymmeTry Panel - Pencil Ribs With Clip Relief

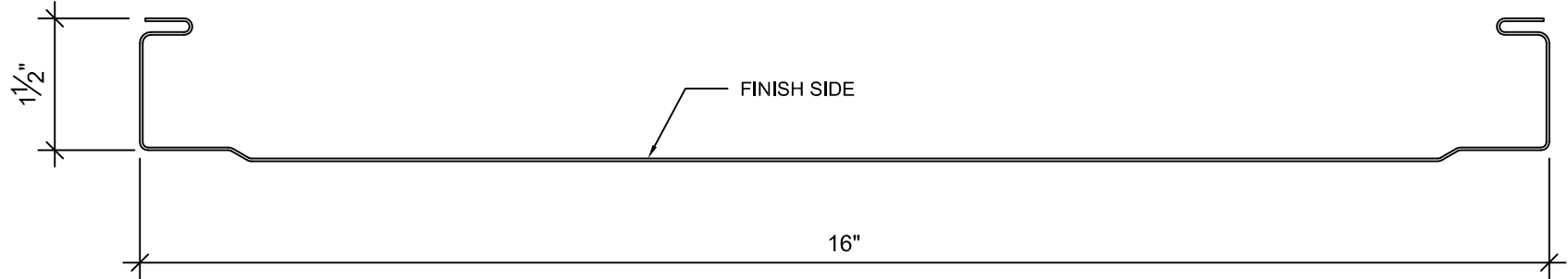
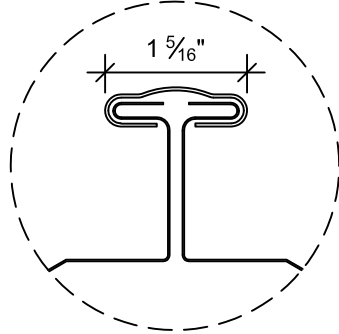
**NOTES:**

1. ALL DIMENSIONS ARE NOMINAL. PANEL PROFILES MAY NOT BE TO SCALE
2. DIMENSIONS AND ANGLES MAY VARY SLIGHTLY BETWEEN GAUGES.
3. THE CUSTOMER IS RESPONSIBLE FOR ALL INFORMATION ON THIS DOCUMENT.

NOT TO SCALE



	<b>APPROVED BY:</b>	DATE:	JOB NO.:	SYM1.5-16
	CUSTOMER:		JOB NAME:	
	COLOR:		SMOOTH <input type="checkbox"/> EMBOSSED <input type="checkbox"/>	P.N.:    -
	GAUGE:		<b>INSTALLATION:</b> HORIZ. <input type="checkbox"/> VERT. <input type="checkbox"/>	
	BACKSIDE EXPOSED:	YES <input type="checkbox"/> NO <input type="checkbox"/>	FACTORY CAULK:	YES <input type="checkbox"/> NO <input type="checkbox"/>

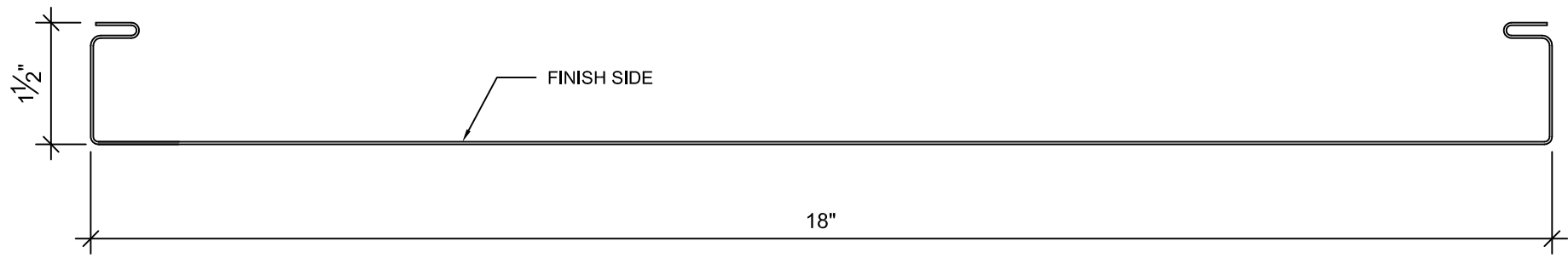
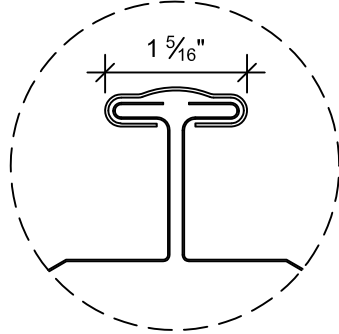


SymmeTry Panel With Clip Relief

- NOTES:**
1. ALL DIMENSIONS ARE NOMINAL. PANEL PROFILES MAY NOT BE TO SCALE
  2. DIMENSIONS AND ANGLES MAY VARY SLIGHTLY BETWEEN GAUGES.
  3. THE CUSTOMER IS RESPONSIBLE FOR ALL INFORMATION ON THIS DOCUMENT.

NOT TO SCALE

	<b>APPROVED BY:</b> _____	<b>DATE:</b> _____	<b>JOB NO.:</b> _____	SYM1.5-16
	<b>CUSTOMER:</b> _____	<b>JOB NAME:</b> _____	<b>SMOOTH</b> <input type="checkbox"/> <b>EMBOSSSED</b> <input type="checkbox"/>	<b>P.N.:</b> -
	<b>COLOR:</b> _____	<b>INSTALLATION:</b> HORIZ. <input type="checkbox"/> VERT. <input type="checkbox"/>	<b>FACTORY CAULK:</b> YES <input type="checkbox"/> NO <input type="checkbox"/>	<b>REV.:</b> JAN-2017
	<b>GAUGE:</b> _____	<b>BACKSIDE EXPOSED:</b> YES <input type="checkbox"/> NO <input type="checkbox"/>		

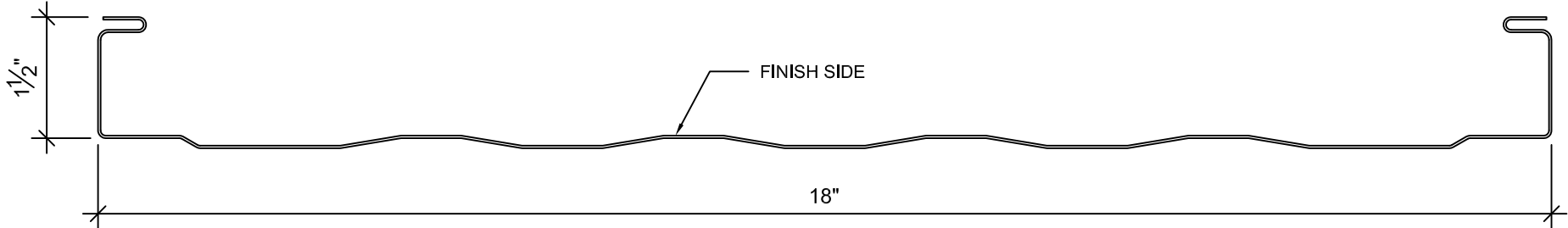
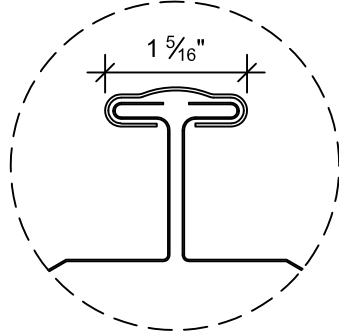


SymmeTry Panel With No Clip Relief

- NOTES:**
1. ALL DIMENSIONS ARE NOMINAL. PANEL PROFILES MAY NOT BE TO SCALE
  2. DIMENSIONS AND ANGLES MAY VARY SLIGHTLY BETWEEN GAUGES.
  3. THE CUSTOMER IS RESPONSIBLE FOR ALL INFORMATION ON THIS DOCUMENT.

NOT TO SCALE

	<b>APPROVED BY:</b> _____	<b>DATE:</b> _____	<b>JOB NO.:</b> _____	SYM1.5-18
	<b>CUSTOMER:</b> _____	<b>JOB NAME:</b> _____	<b>SMOOTH</b> <input type="checkbox"/> <b>EMBOSSSED</b> <input type="checkbox"/>	<b>P.N.:</b> -
	<b>COLOR:</b> _____	<b>INSTALLATION:</b> HORIZ. <input type="checkbox"/> VERT. <input type="checkbox"/>	<b>FACTORY CAULK:</b> YES <input type="checkbox"/> NO <input type="checkbox"/>	<b>REV.:</b> JAN-2017
	<b>GAUGE:</b> _____	<b>BACKSIDE EXPOSED:</b> YES <input type="checkbox"/> NO <input type="checkbox"/>		



**SymmeTry Panel - Striated With Clip Relief**

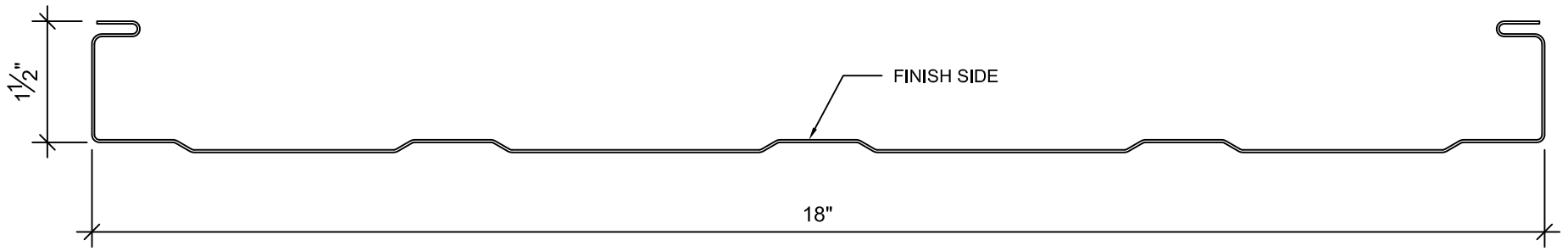
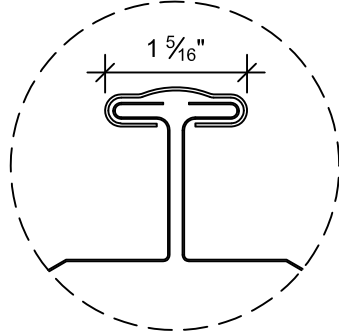
- NOTES:**
1. ALL DIMENSIONS ARE NOMINAL. PANEL PROFILES MAY NOT BE TO SCALE
  2. DIMENSIONS AND ANGLES MAY VARY SLIGHTLY BETWEEN GAUGES.
  3. THE CUSTOMER IS RESPONSIBLE FOR ALL INFORMATION ON THIS DOCUMENT.

NOT TO SCALE



	APPROVED BY:	DATE:	JOB NO.:	SYM1.5-18
	CUSTOMER:		JOB NAME:	
	COLOR:		SMOOTH <input type="checkbox"/> EMBOSSED <input type="checkbox"/>	P.N.: -
	GAUGE:		<b>INSTALLATION:</b> HORIZ. <input type="checkbox"/> VERT. <input type="checkbox"/>	
	BACKSIDE EXPOSED:	YES <input type="checkbox"/> NO <input type="checkbox"/>	FACTORY CAULK:	YES <input type="checkbox"/> NO <input type="checkbox"/>



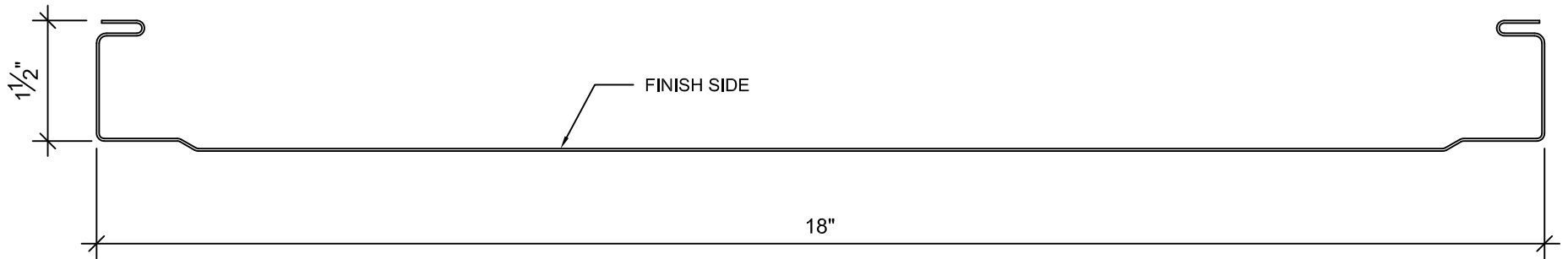
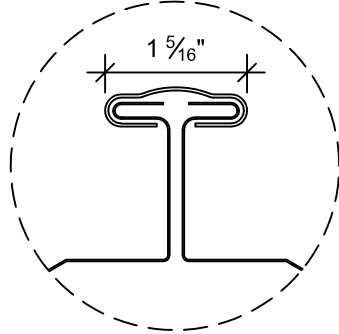


**SymmeTry Panel - Pencil Ribs With Clip Relief**

- NOTES:**
1. ALL DIMENSIONS ARE NOMINAL. PANEL PROFILES MAY NOT BE TO SCALE
  2. DIMENSIONS AND ANGLES MAY VARY SLIGHTLY BETWEEN GAUGES.
  3. THE CUSTOMER IS RESPONSIBLE FOR ALL INFORMATION ON THIS DOCUMENT.

NOT TO SCALE

	<b>APPROVED BY:</b>	<b>DATE:</b>	<b>JOB NO.:</b>	SYM1.5-18
	<b>CUSTOMER:</b>		<b>JOB NAME:</b>	
	<b>COLOR:</b>		SMOOTH <input type="checkbox"/> EMBOSSED <input type="checkbox"/>	P.N.: -
	<b>GAUGE:</b>		<b>INSTALLATION:</b> HORIZ. <input type="checkbox"/> VERT. <input type="checkbox"/>	
	<b>BACKSIDE EXPOSED:</b>	YES <input type="checkbox"/> NO <input type="checkbox"/>	<b>FACTORY CAULK:</b> YES <input type="checkbox"/> NO <input type="checkbox"/>	



SymmeTry Panel With Clip Relief

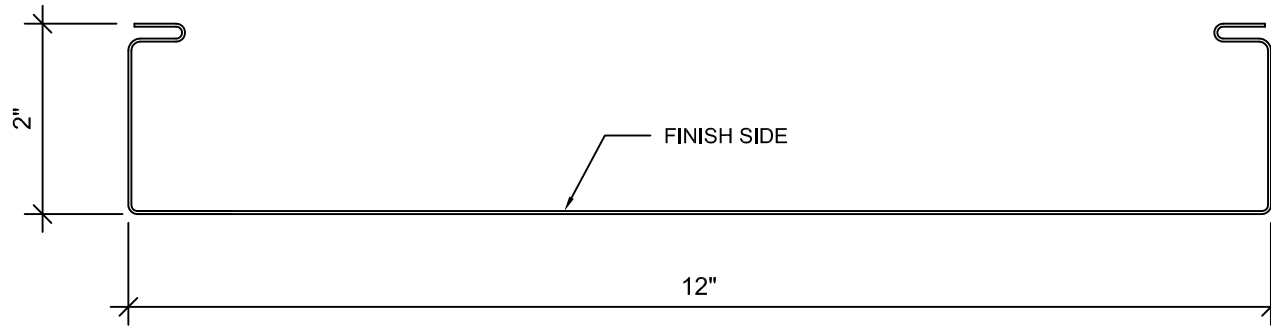
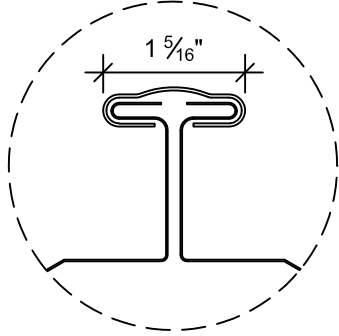
**NOTES:**

1. ALL DIMENSIONS ARE NOMINAL. PANEL PROFILES MAY NOT BE TO SCALE
2. DIMENSIONS AND ANGLES MAY VARY SLIGHTLY BETWEEN GAUGES.
3. THE CUSTOMER IS RESPONSIBLE FOR ALL INFORMATION ON THIS DOCUMENT.

NOT TO SCALE



	<b>APPROVED BY:</b>	<b>DATE:</b>	<b>JOB NO.:</b>	SYM1.5-18
	<b>CUSTOMER:</b>		<b>JOB NAME:</b>	
	<b>COLOR:</b>		SMOOTH <input type="checkbox"/> EMBOSSED <input type="checkbox"/>	P.N.: -
	<b>GAUGE:</b>		<b>INSTALLATION:</b> HORIZ. <input type="checkbox"/> VERT. <input type="checkbox"/>	
	<b>BACKSIDE EXPOSED:</b>	YES <input type="checkbox"/> NO <input type="checkbox"/>	<b>FACTORY CAULK:</b> YES <input type="checkbox"/> NO <input type="checkbox"/>	



SymmeTry Panel With No Clip Relief

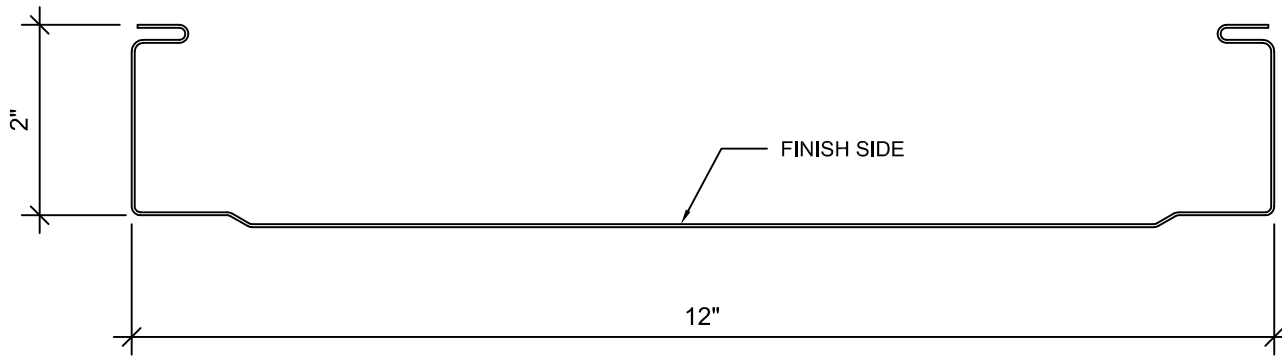
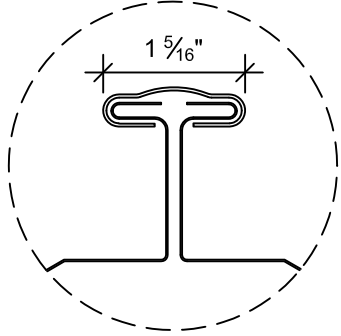
**NOTES:**

1. ALL DIMENSIONS ARE NOMINAL. PANEL PROFILES MAY NOT BE TO SCALE
2. DIMENSIONS AND ANGLES MAY VARY SLIGHTLY BETWEEN GAUGES.
3. THE CUSTOMER IS RESPONSIBLE FOR ALL INFORMATION ON THIS DOCUMENT.

NOT TO SCALE



	APPROVED BY:	DATE:	JOB NO.:	SYM2.0-12
	CUSTOMER:		JOB NAME:	
	COLOR:		SMOOTH <input type="checkbox"/> EMBOSSED <input type="checkbox"/>	P.N.: -
	GAUGE:		<b>INSTALLATION:</b> HORIZ. <input type="checkbox"/> VERT. <input type="checkbox"/>	
	BACKSIDE EXPOSED:	YES <input type="checkbox"/> NO <input type="checkbox"/>	FACTORY CAULK:	YES <input type="checkbox"/> NO <input type="checkbox"/>



SymmeTry Panel With Clip Relief

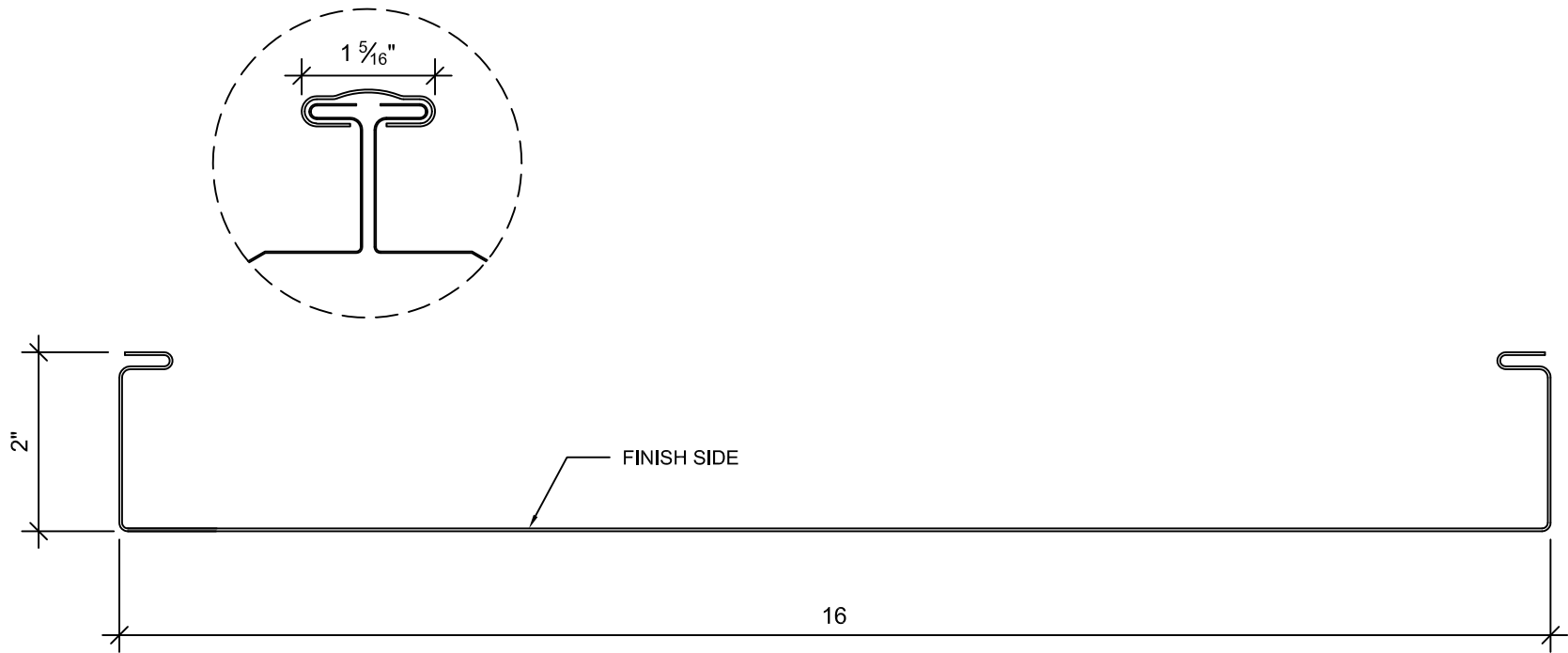
**NOTES:**

1. ALL DIMENSIONS ARE NOMINAL. PANEL PROFILES MAY NOT BE TO SCALE
2. DIMENSIONS AND ANGLES MAY VARY SLIGHTLY BETWEEN GAUGES.
3. THE CUSTOMER IS RESPONSIBLE FOR ALL INFORMATION ON THIS DOCUMENT.

NOT TO SCALE



	APPROVED BY:	DATE:	JOB NO.:	SYM2.0-12
	CUSTOMER:		JOB NAME:	
	COLOR:		SMOOTH <input type="checkbox"/> EMBOSSED <input type="checkbox"/>	P.N.: -
	GAUGE:		<b>INSTALLATION:</b> HORIZ. <input type="checkbox"/> VERT. <input type="checkbox"/>	
	BACKSIDE EXPOSED:	YES <input type="checkbox"/> NO <input type="checkbox"/>	FACTORY CAULK:	YES <input type="checkbox"/> NO <input type="checkbox"/>



SymmeTry Panel With No Clip Relief

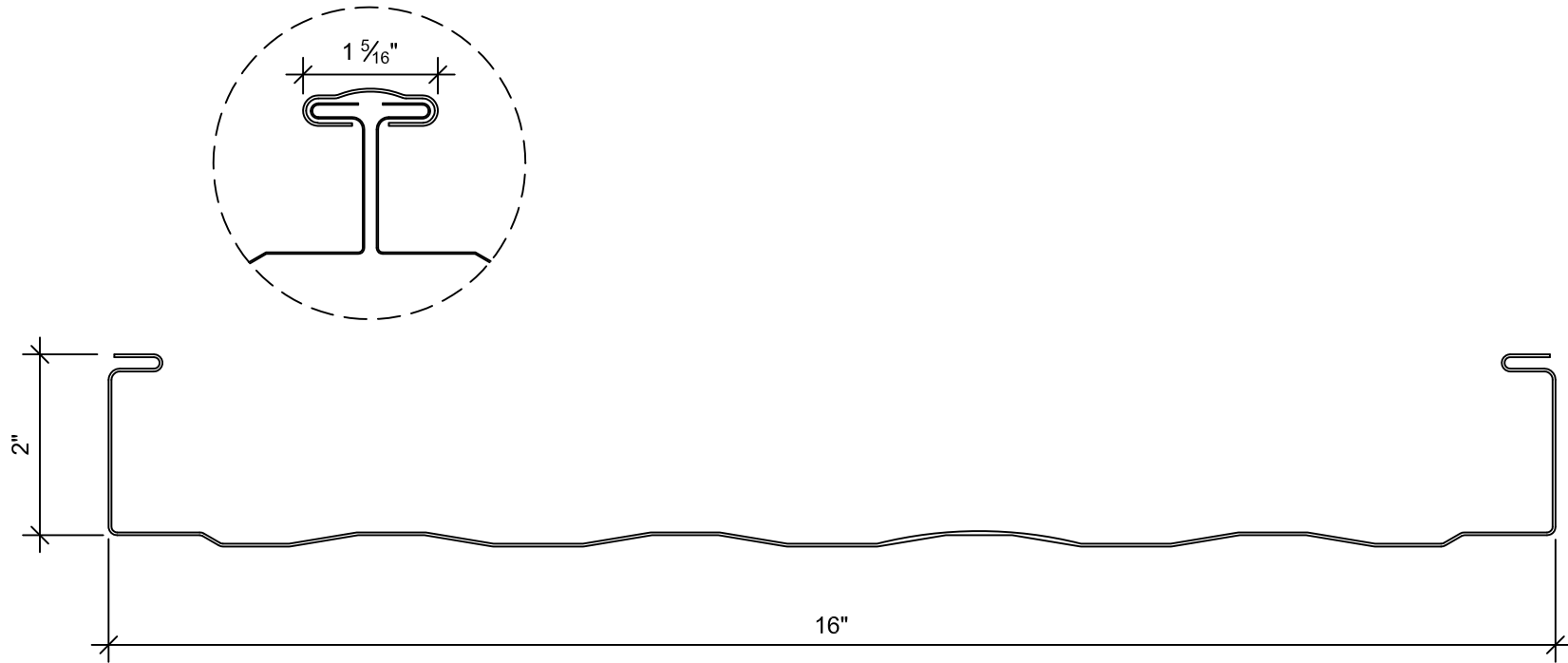
**NOTES:**

1. ALL DIMENSIONS ARE NOMINAL. PANEL PROFILES MAY NOT BE TO SCALE
2. DIMENSIONS AND ANGLES MAY VARY SLIGHTLY BETWEEN GAUGES.
3. THE CUSTOMER IS RESPONSIBLE FOR ALL INFORMATION ON THIS DOCUMENT.

NOT TO SCALE



	<b>APPROVED BY:</b>	DATE:	JOB NO.:	SYM2.0-16
	CUSTOMER:		JOB NAME:	
	COLOR:		SMOOTH <input type="checkbox"/> EMBOSSED <input type="checkbox"/>	P.N.: -
	GAUGE:		<b>INSTALLATION:</b> HORIZ. <input type="checkbox"/> VERT. <input type="checkbox"/>	
	BACKSIDE EXPOSED:	YES <input type="checkbox"/> NO <input type="checkbox"/>	FACTORY CAULK:	YES <input type="checkbox"/> NO <input type="checkbox"/>



**SymmeTry Panel - Striated With Clip Relief**

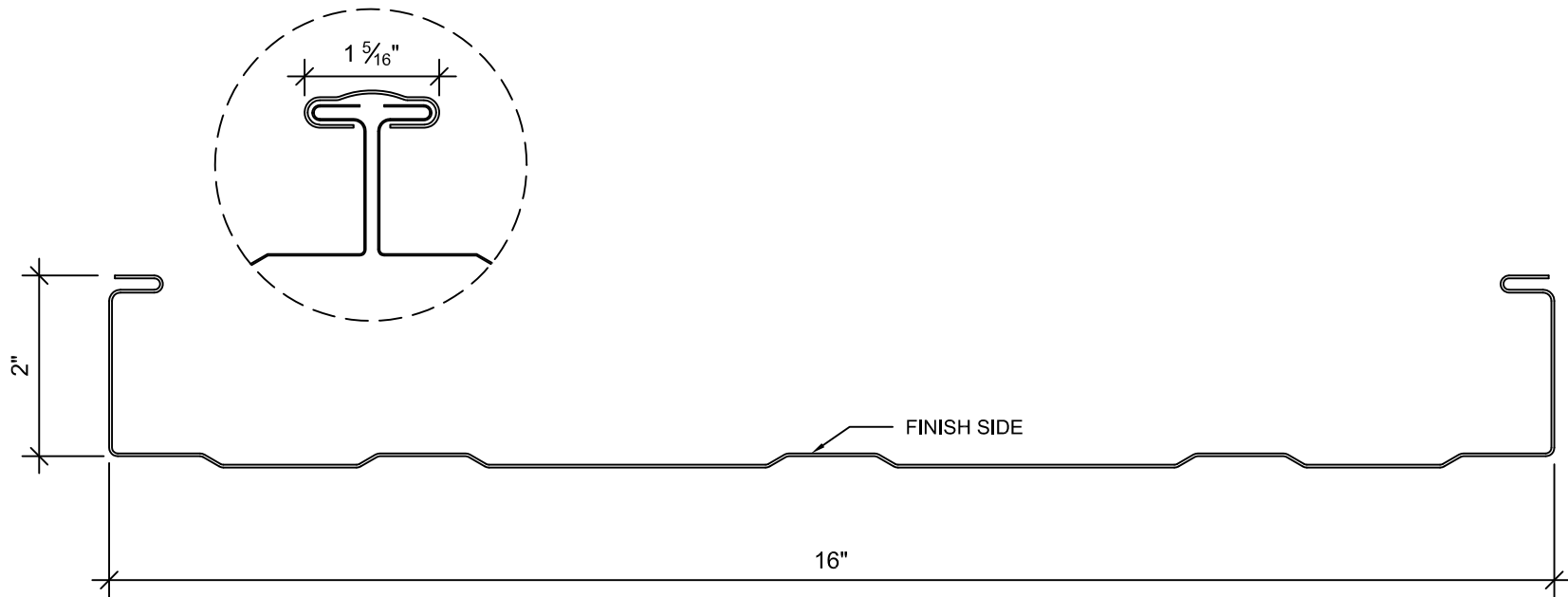
**NOTES:**

1. ALL DIMENSIONS ARE NOMINAL. PANEL PROFILES MAY NOT BE TO SCALE
2. DIMENSIONS AND ANGLES MAY VARY SLIGHTLY BETWEEN GAUGES.
3. THE CUSTOMER IS RESPONSIBLE FOR ALL INFORMATION ON THIS DOCUMENT.

NOT TO SCALE



	<b>APPROVED BY:</b>	DATE:	JOB NO.:	SYM2.0-16
	CUSTOMER:		JOB NAME:	
	COLOR:		SMOOTH <input type="checkbox"/> EMBOSSED <input type="checkbox"/>	P.N.: -
	GAUGE:		<b>INSTALLATION:</b> HORIZ. <input type="checkbox"/> VERT. <input type="checkbox"/>	
	BACKSIDE EXPOSED:	YES <input type="checkbox"/> NO <input type="checkbox"/>	FACTORY CAULK:	YES <input type="checkbox"/> NO <input type="checkbox"/>



SymmeTry Panel - Pencil Ribs With Clip Relief

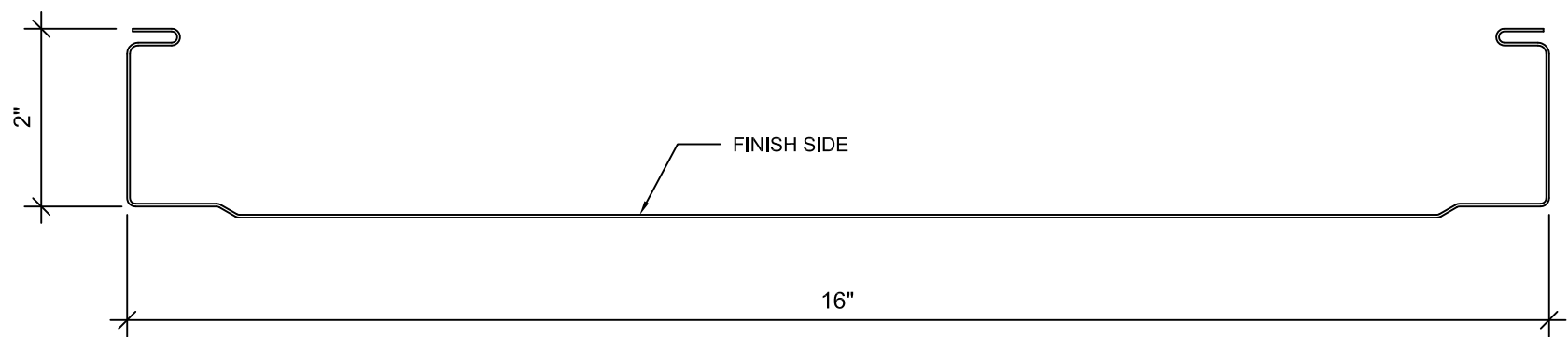
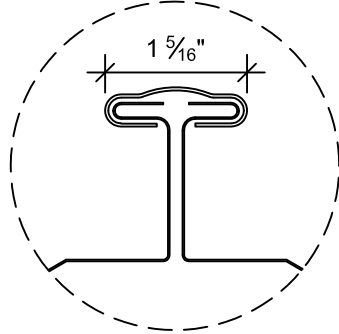
**NOTES:**

1. ALL DIMENSIONS ARE NOMINAL. PANEL PROFILES MAY NOT BE TO SCALE
2. DIMENSIONS AND ANGLES MAY VARY SLIGHTLY BETWEEN GAUGES.
3. THE CUSTOMER IS RESPONSIBLE FOR ALL INFORMATION ON THIS DOCUMENT.

NOT TO SCALE



	<b>APPROVED BY:</b>	DATE:	JOB NO.:	SYM2.0-16
	CUSTOMER:		JOB NAME:	
	COLOR:		SMOOTH <input type="checkbox"/> EMBOSSED <input type="checkbox"/>	P.N.:    -
	GAUGE:		<b>INSTALLATION:</b> HORIZ. <input type="checkbox"/> VERT. <input type="checkbox"/>	
	BACKSIDE EXPOSED:	YES <input type="checkbox"/> NO <input type="checkbox"/>	FACTORY CAULK:	YES <input type="checkbox"/> NO <input type="checkbox"/>



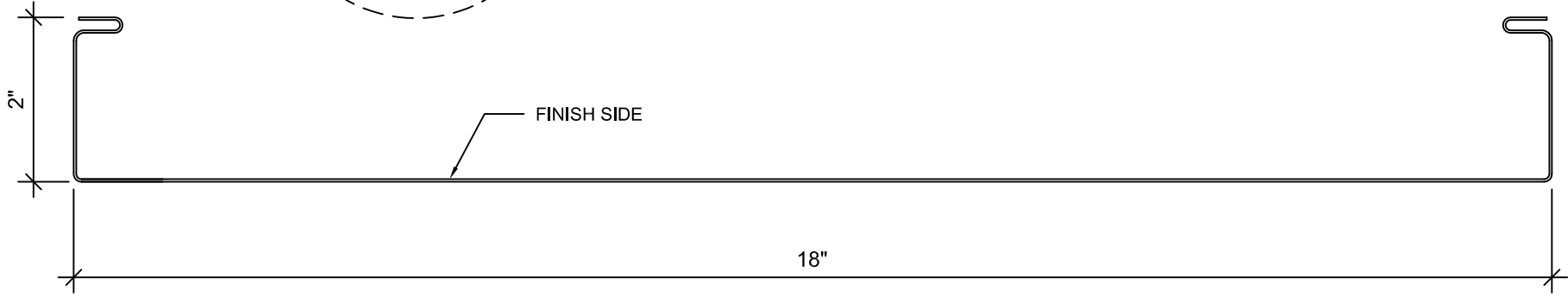
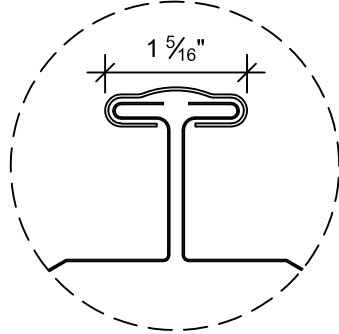
SymmeTry Panel With Clip Relief

- NOTES:**
1. ALL DIMENSIONS ARE NOMINAL. PANEL PROFILES MAY NOT BE TO SCALE
  2. DIMENSIONS AND ANGLES MAY VARY SLIGHTLY BETWEEN GAUGES.
  3. THE CUSTOMER IS RESPONSIBLE FOR ALL INFORMATION ON THIS DOCUMENT.

NOT TO SCALE

	<b>APPROVED BY:</b>	<b>DATE:</b>	<b>JOB NO.:</b>	SYM2.0-16
	<b>CUSTOMER:</b>		<b>JOB NAME:</b>	
	<b>COLOR:</b>		SMOOTH <input type="checkbox"/> EMBOSSED <input type="checkbox"/>	P.N.: -
	<b>GAUGE:</b>		<b>INSTALLATION:</b> HORIZ. <input type="checkbox"/> VERT. <input type="checkbox"/>	
	<b>BACKSIDE EXPOSED:</b>	YES <input type="checkbox"/> NO <input type="checkbox"/>	<b>FACTORY CAULK:</b> YES <input type="checkbox"/> NO <input type="checkbox"/>	REV.: JAN-2017



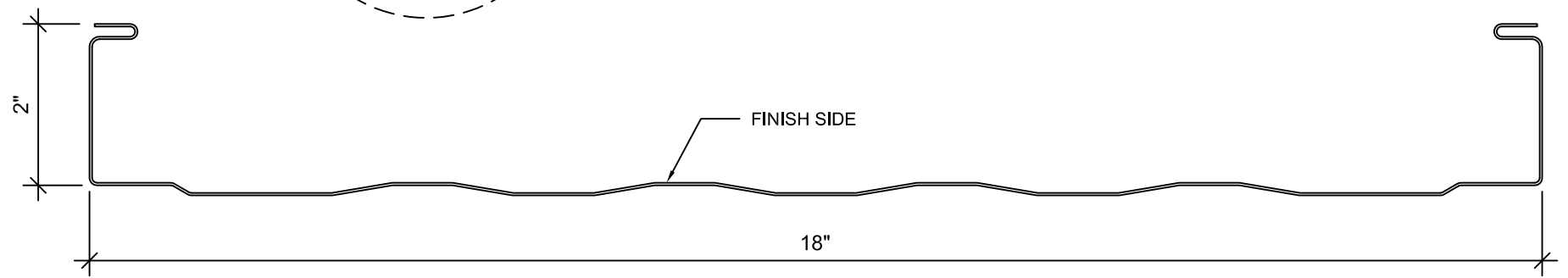
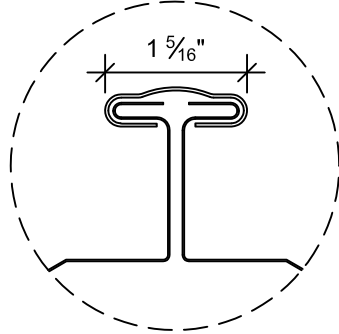


SymmeTry Panel With No Clip Relief

- NOTES:**
1. ALL DIMENSIONS ARE NOMINAL. PANEL PROFILES MAY NOT BE TO SCALE
  2. DIMENSIONS AND ANGLES MAY VARY SLIGHTLY BETWEEN GAUGES.
  3. THE CUSTOMER IS RESPONSIBLE FOR ALL INFORMATION ON THIS DOCUMENT.

NOT TO SCALE

	<b>APPROVED BY:</b> _____	<b>DATE:</b> _____	<b>JOB NO.:</b> _____	SYM2.0-18
	<b>CUSTOMER:</b> _____	<b>JOB NAME:</b> _____	<b>SMOOTH</b> <input type="checkbox"/> <b>EMBOSSSED</b> <input type="checkbox"/>	<b>P.N.:</b> -
	<b>COLOR:</b> _____	<b>INSTALLATION:</b> HORIZ. <input type="checkbox"/> VERT. <input type="checkbox"/>	<b>FACTORY CAULK:</b> YES <input type="checkbox"/> NO <input type="checkbox"/>	<b>REV.:</b> JAN-2017
	<b>GAUGE:</b> _____	<b>BACKSIDE EXPOSED:</b> YES <input type="checkbox"/> NO <input type="checkbox"/>		



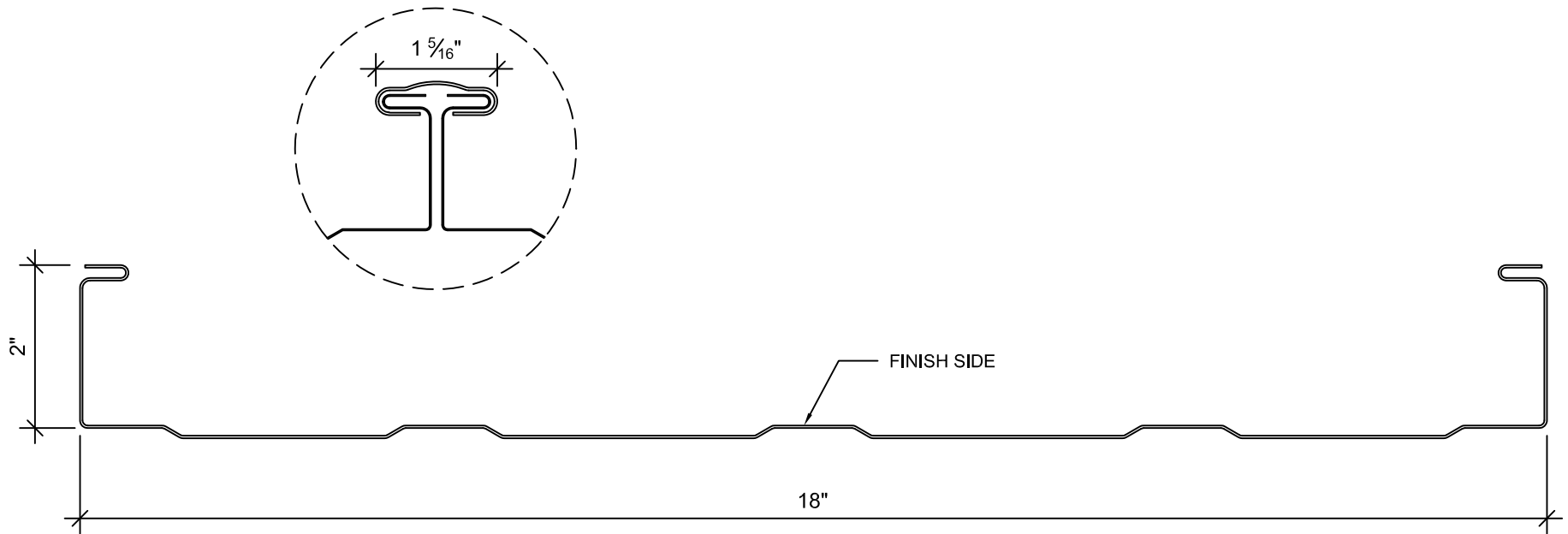
**SymmeTry Panel - Striated With Clip Relief**

- NOTES:**
1. ALL DIMENSIONS ARE NOMINAL. PANEL PROFILES MAY NOT BE TO SCALE
  2. DIMENSIONS AND ANGLES MAY VARY SLIGHTLY BETWEEN GAUGES.
  3. THE CUSTOMER IS RESPONSIBLE FOR ALL INFORMATION ON THIS DOCUMENT.

NOT TO SCALE



	<b>APPROVED BY:</b>	DATE:	JOB NO.:	SYM2.0-18
	CUSTOMER:		JOB NAME:	
	COLOR:		SMOOTH <input type="checkbox"/> EMBOSSED <input type="checkbox"/>	P.N.:    -
	GAUGE:		<b>INSTALLATION:</b> HORIZ. <input type="checkbox"/> VERT. <input type="checkbox"/>	
	BACKSIDE EXPOSED:	YES <input type="checkbox"/> NO <input type="checkbox"/>	FACTORY CAULK:	YES <input type="checkbox"/> NO <input type="checkbox"/>



SymmeTry Panel - Pencil Ribs With Clip Relief

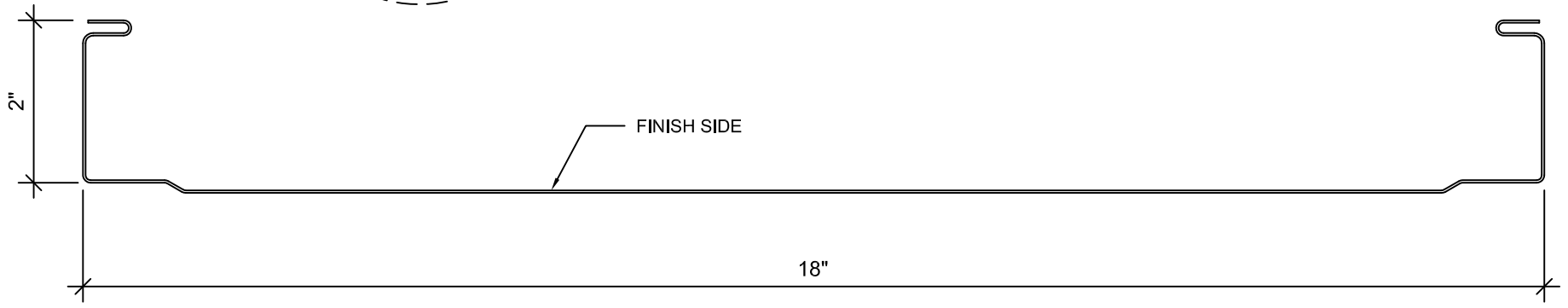
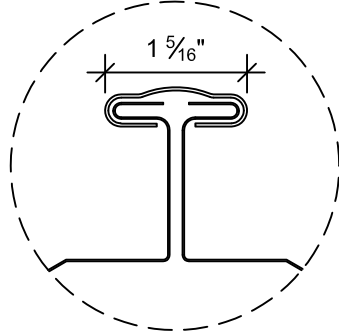
**NOTES:**

1. ALL DIMENSIONS ARE NOMINAL. PANEL PROFILES MAY NOT BE TO SCALE
2. DIMENSIONS AND ANGLES MAY VARY SLIGHTLY BETWEEN GAUGES.
3. THE CUSTOMER IS RESPONSIBLE FOR ALL INFORMATION ON THIS DOCUMENT.

NOT TO SCALE



	<b>APPROVED BY:</b>	DATE:	JOB NO.:	SYM2.0-18
	CUSTOMER:		JOB NAME:	
	COLOR:		SMOOTH <input type="checkbox"/> EMBOSSED <input type="checkbox"/>	P.N.:    -
	GAUGE:		<b>INSTALLATION:</b> HORIZ. <input type="checkbox"/> VERT. <input type="checkbox"/>	
	BACKSIDE EXPOSED:	YES <input type="checkbox"/> NO <input type="checkbox"/>	FACTORY CAULK:	YES <input type="checkbox"/> NO <input type="checkbox"/>



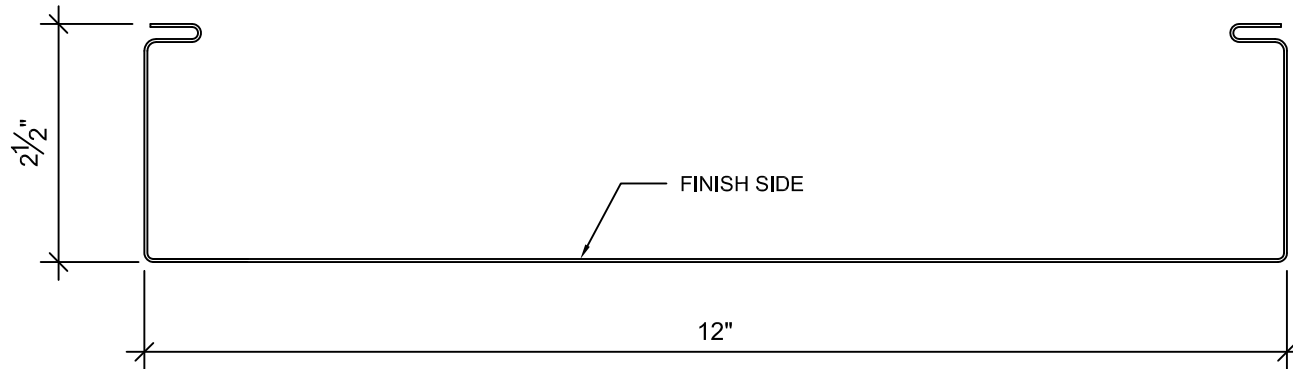
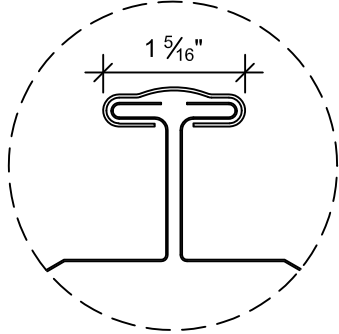
SymmeTry Panel With Clip Relief

- NOTES:**
1. ALL DIMENSIONS ARE NOMINAL. PANEL PROFILES MAY NOT BE TO SCALE
  2. DIMENSIONS AND ANGLES MAY VARY SLIGHTLY BETWEEN GAUGES.
  3. THE CUSTOMER IS RESPONSIBLE FOR ALL INFORMATION ON THIS DOCUMENT.

NOT TO SCALE



	<b>APPROVED BY:</b>	DATE:	JOB NO.:	SYM2.0-18
	CUSTOMER:		JOB NAME:	
	COLOR:		SMOOTH <input type="checkbox"/> EMBOSSED <input type="checkbox"/>	P.N.: -
	GAUGE:		<b>INSTALLATION:</b> HORIZ. <input type="checkbox"/> VERT. <input type="checkbox"/>	
	BACKSIDE EXPOSED:	YES <input type="checkbox"/> NO <input type="checkbox"/>	FACTORY CAULK: YES <input type="checkbox"/> NO <input type="checkbox"/>	



**SymmeTry Panel With No Clip Relief**

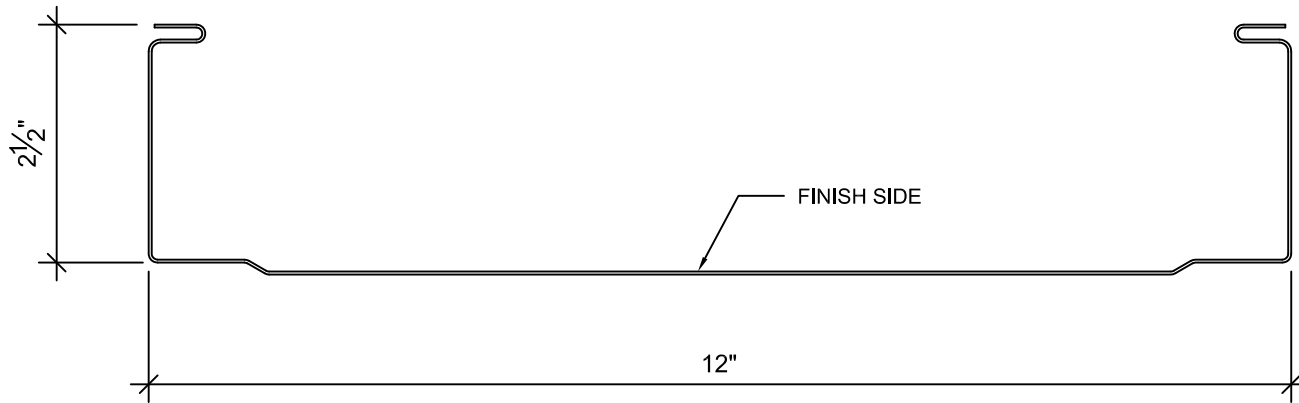
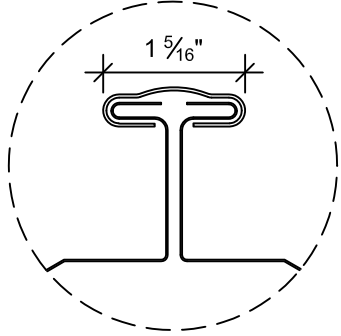
**NOTES:**

1. ALL DIMENSIONS ARE NOMINAL. PANEL PROFILES MAY NOT BE TO SCALE
2. DIMENSIONS AND ANGLES MAY VARY SLIGHTLY BETWEEN GAUGES.
3. THE CUSTOMER IS RESPONSIBLE FOR ALL INFORMATION ON THIS DOCUMENT.

NOT TO SCALE



	<b>APPROVED BY:</b>	DATE:	JOB NO.:	SYM2.5-12
	CUSTOMER:		JOB NAME:	
	COLOR:		SMOOTH <input type="checkbox"/> EMBOSSED <input type="checkbox"/>	P.N.: -
	GAUGE:		<b>INSTALLATION:</b> HORIZ. <input type="checkbox"/> VERT. <input type="checkbox"/>	
	BACKSIDE EXPOSED:	YES <input type="checkbox"/> NO <input type="checkbox"/>	FACTORY CAULK:	YES <input type="checkbox"/> NO <input type="checkbox"/>



SymmeTry Panel With Clip Relief

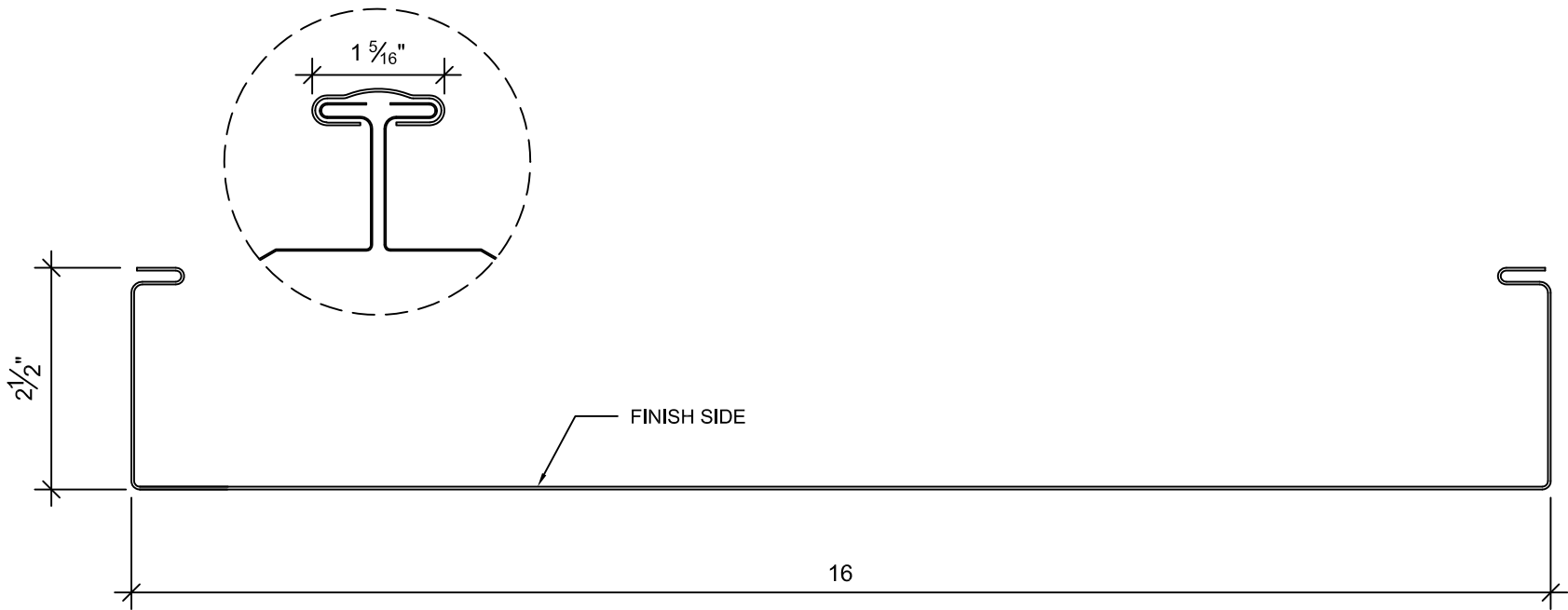
**NOTES:**

1. ALL DIMENSIONS ARE NOMINAL. PANEL PROFILES MAY NOT BE TO SCALE
2. DIMENSIONS AND ANGLES MAY VARY SLIGHTLY BETWEEN GAUGES.
3. THE CUSTOMER IS RESPONSIBLE FOR ALL INFORMATION ON THIS DOCUMENT.

NOT TO SCALE



	APPROVED BY:	DATE:	JOB NO.:	SYM2.5-12
	CUSTOMER:		JOB NAME:	
	COLOR:		SMOOTH <input type="checkbox"/> EMBOSSED <input type="checkbox"/>	P.N.:    -
	GAUGE:		<b>INSTALLATION:</b> HORIZ. <input type="checkbox"/> VERT. <input type="checkbox"/>	
	BACKSIDE EXPOSED:	YES <input type="checkbox"/> NO <input type="checkbox"/>	FACTORY CAULK:	YES <input type="checkbox"/> NO <input type="checkbox"/>



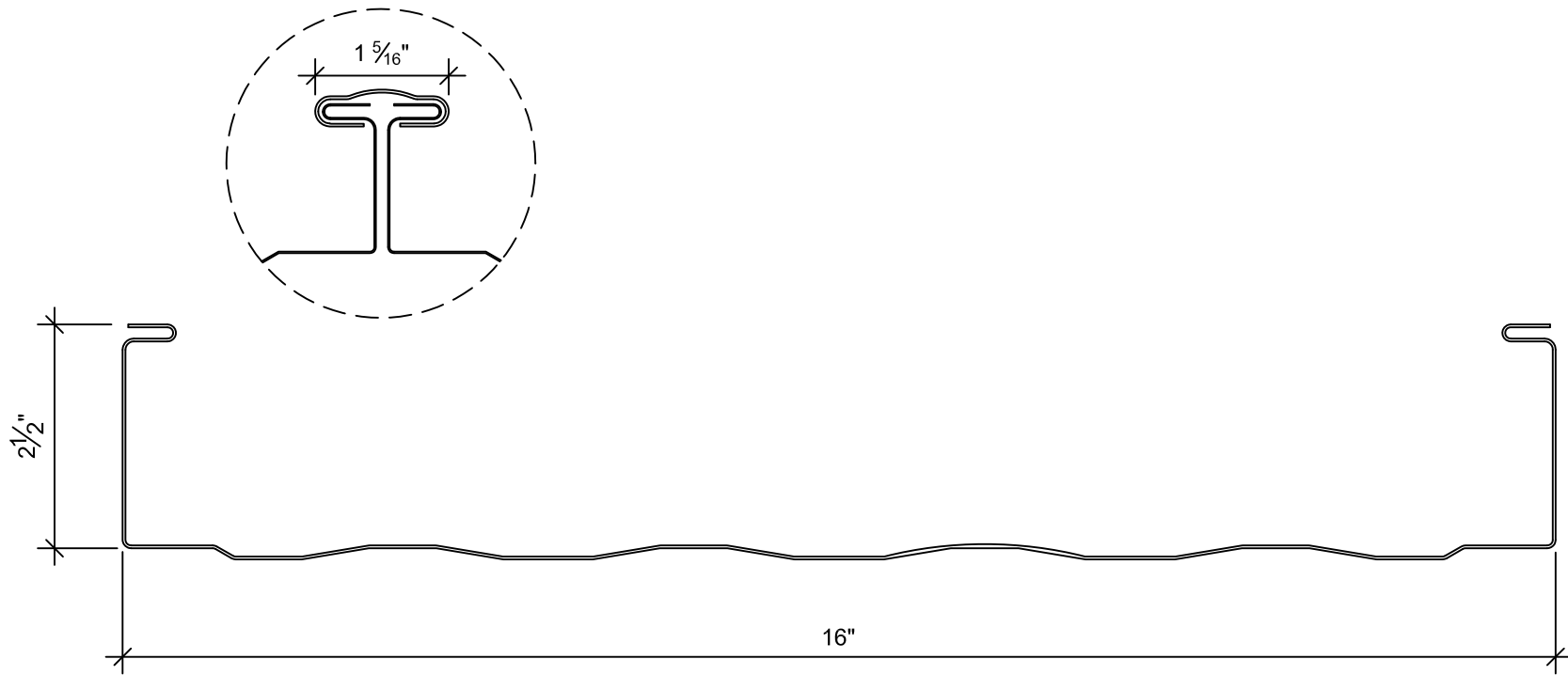
SymmeTry Panel With No Clip Relief

- NOTES:**
1. ALL DIMENSIONS ARE NOMINAL. PANEL PROFILES MAY NOT BE TO SCALE
  2. DIMENSIONS AND ANGLES MAY VARY SLIGHTLY BETWEEN GAUGES.
  3. THE CUSTOMER IS RESPONSIBLE FOR ALL INFORMATION ON THIS DOCUMENT.

NOT TO SCALE



	<b>APPROVED BY:</b>	DATE:	JOB NO.:	SYM2.5-16
	CUSTOMER:		JOB NAME:	
	COLOR:		SMOOTH <input type="checkbox"/> EMBOSSED <input type="checkbox"/>	P.N.:    -
	GAUGE:		<b>INSTALLATION:</b> HORIZ. <input type="checkbox"/> VERT. <input type="checkbox"/>	
	BACKSIDE EXPOSED:	YES <input type="checkbox"/> NO <input type="checkbox"/>	FACTORY CAULK:	YES <input type="checkbox"/> NO <input type="checkbox"/>



**SymmeTry Panel - Striated With Clip Relief**

**NOTES:**

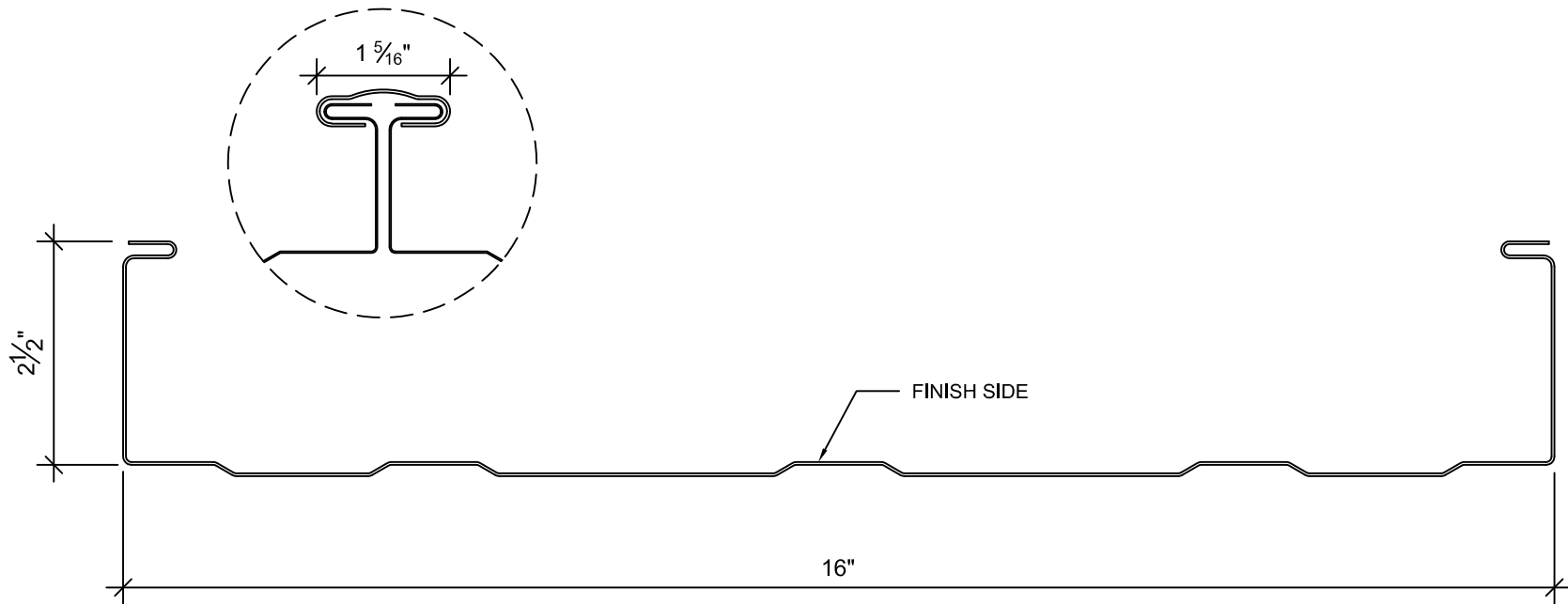
1. ALL DIMENSIONS ARE NOMINAL. PANEL PROFILES MAY NOT BE TO SCALE
2. DIMENSIONS AND ANGLES MAY VARY SLIGHTLY BETWEEN GAUGES.
3. THE CUSTOMER IS RESPONSIBLE FOR ALL INFORMATION ON THIS DOCUMENT.

NOT TO SCALE



	<b>APPROVED BY:</b>	DATE:	JOB NO.:	SYM2.5-16
	CUSTOMER:		JOB NAME:	
	COLOR:		SMOOTH <input type="checkbox"/> EMBOSSED <input type="checkbox"/>	P.N.: -
	GAUGE:		<b>INSTALLATION:</b> HORIZ. <input type="checkbox"/> VERT. <input type="checkbox"/>	
	BACKSIDE EXPOSED:    YES <input type="checkbox"/> NO <input type="checkbox"/>		FACTORY CAULK: YES <input type="checkbox"/> NO <input type="checkbox"/>	REV.: JAN-2017





SymmeTry Panel - Pencil Ribs With Clip Relief

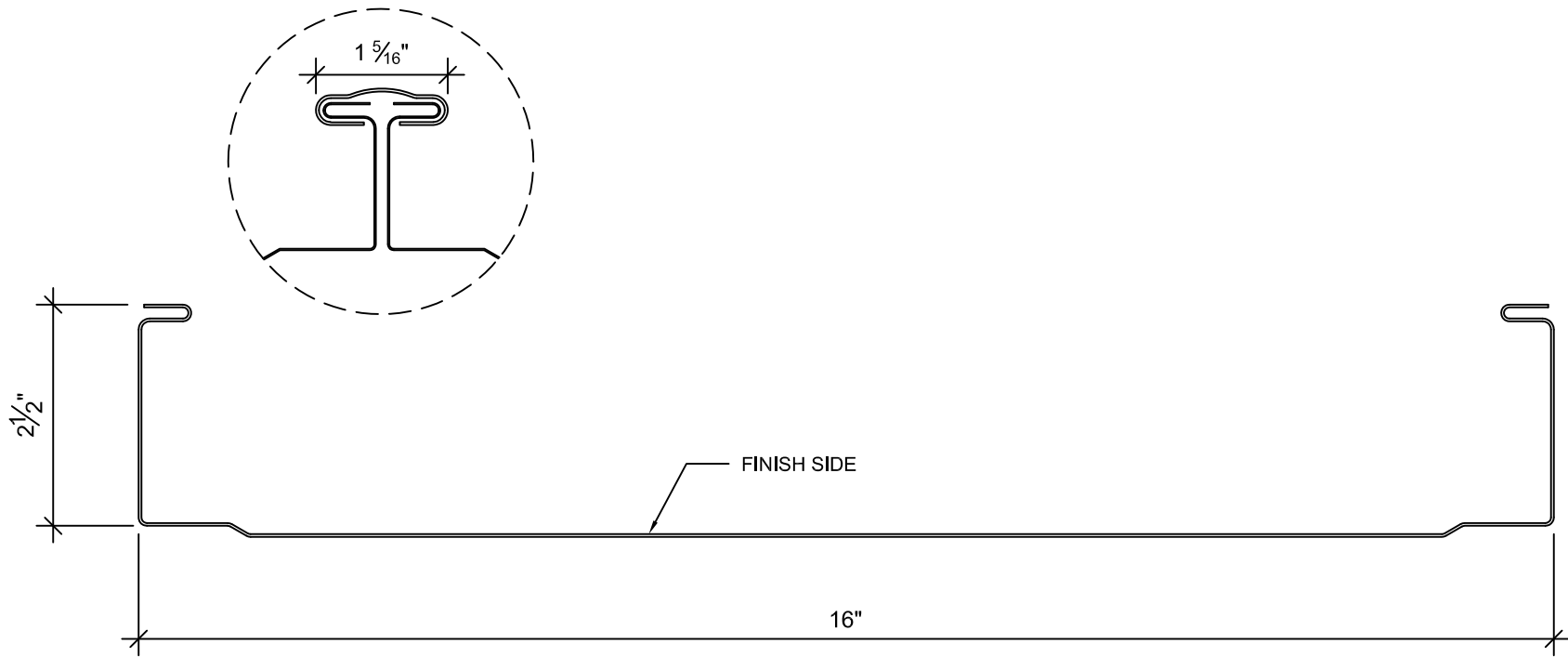
**NOTES:**

1. ALL DIMENSIONS ARE NOMINAL. PANEL PROFILES MAY NOT BE TO SCALE
2. DIMENSIONS AND ANGLES MAY VARY SLIGHTLY BETWEEN GAUGES.
3. THE CUSTOMER IS RESPONSIBLE FOR ALL INFORMATION ON THIS DOCUMENT.

NOT TO SCALE



<b>Morin</b> A Kingspan Group Company	<b>APPROVED BY:</b>	DATE:	JOB NO.:	SYM2.5-16
	CUSTOMER:		JOB NAME:	
	COLOR:		SMOOTH <input type="checkbox"/> EMBOSSED <input type="checkbox"/>	P.N.: -
	GAUGE:		<b>INSTALLATION:</b> HORIZ. <input type="checkbox"/> VERT. <input type="checkbox"/>	
	BACKSIDE EXPOSED:	YES <input type="checkbox"/> NO <input type="checkbox"/>	FACTORY CAULK:	YES <input type="checkbox"/> NO <input type="checkbox"/>



SymmeTry Panel With Clip Relief

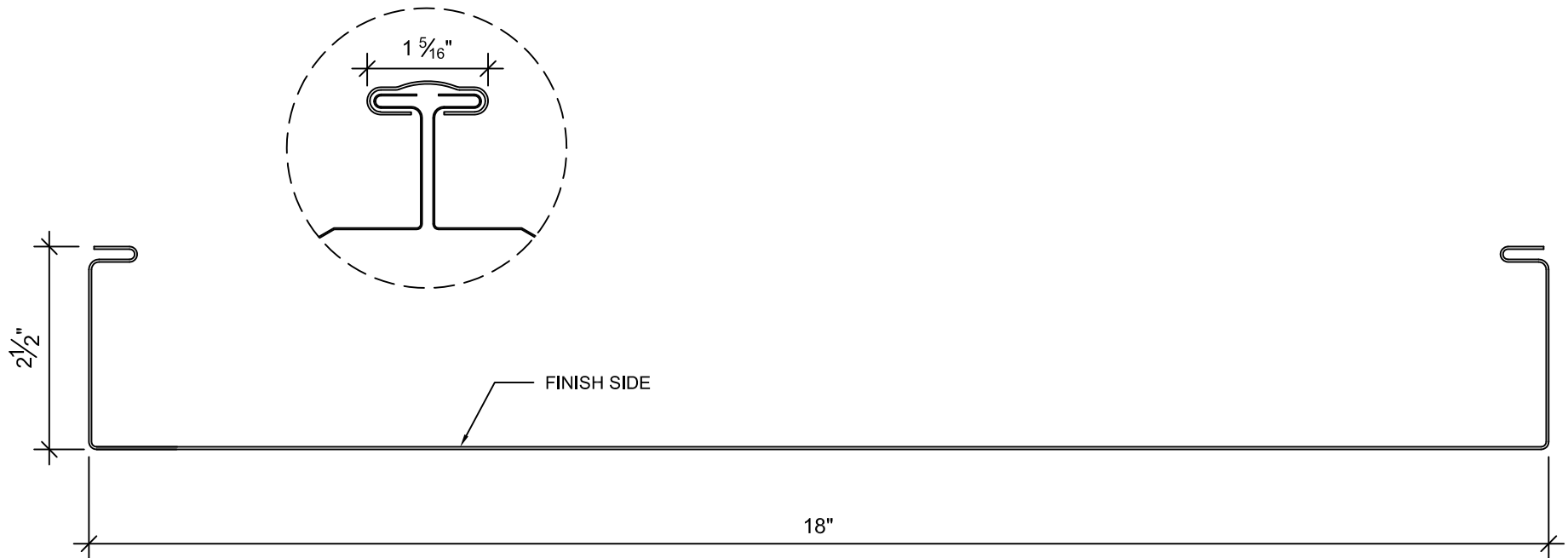
**NOTES:**

1. ALL DIMENSIONS ARE NOMINAL. PANEL PROFILES MAY NOT BE TO SCALE
2. DIMENSIONS AND ANGLES MAY VARY SLIGHTLY BETWEEN GAUGES.
3. THE CUSTOMER IS RESPONSIBLE FOR ALL INFORMATION ON THIS DOCUMENT.

NOT TO SCALE



	<b>APPROVED BY:</b>	DATE:	JOB NO.:	SYM2.5-16
	CUSTOMER:		JOB NAME:	
	COLOR:		SMOOTH <input type="checkbox"/> EMBOSSED <input type="checkbox"/>	P.N.: -
	GAUGE:		<b>INSTALLATION:</b> HORIZ. <input type="checkbox"/> VERT. <input type="checkbox"/>	
	BACKSIDE EXPOSED:	YES <input type="checkbox"/> NO <input type="checkbox"/>	FACTORY CAULK: YES <input type="checkbox"/> NO <input type="checkbox"/>	



SymmeTry Panel With No Clip Relief

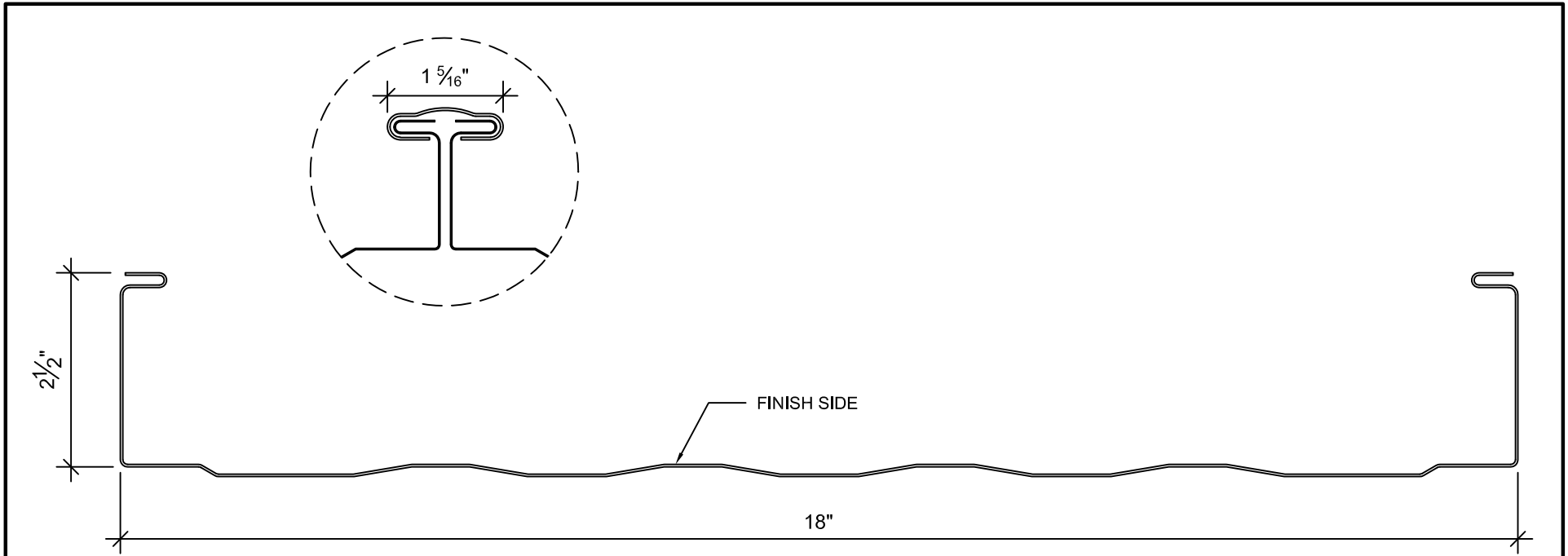
**NOTES:**

1. ALL DIMENSIONS ARE NOMINAL. PANEL PROFILES MAY NOT BE TO SCALE
2. DIMENSIONS AND ANGLES MAY VARY SLIGHTLY BETWEEN GAUGES.
3. THE CUSTOMER IS RESPONSIBLE FOR ALL INFORMATION ON THIS DOCUMENT.

NOT TO SCALE



	<b>APPROVED BY:</b>	<b>DATE:</b>	<b>JOB NO.:</b>	SYM2.5-18
	<b>CUSTOMER:</b>		<b>JOB NAME:</b>	
	<b>COLOR:</b>		SMOOTH <input type="checkbox"/> EMBOSSED <input type="checkbox"/>	P.N.: -
	<b>GAUGE:</b>		<b>INSTALLATION:</b> HORIZ. <input type="checkbox"/> VERT. <input type="checkbox"/>	
	<b>BACKSIDE EXPOSED:</b>	YES <input type="checkbox"/> NO <input type="checkbox"/>	<b>FACTORY CAULK:</b> YES <input type="checkbox"/> NO <input type="checkbox"/>	REV.: JAN-2017

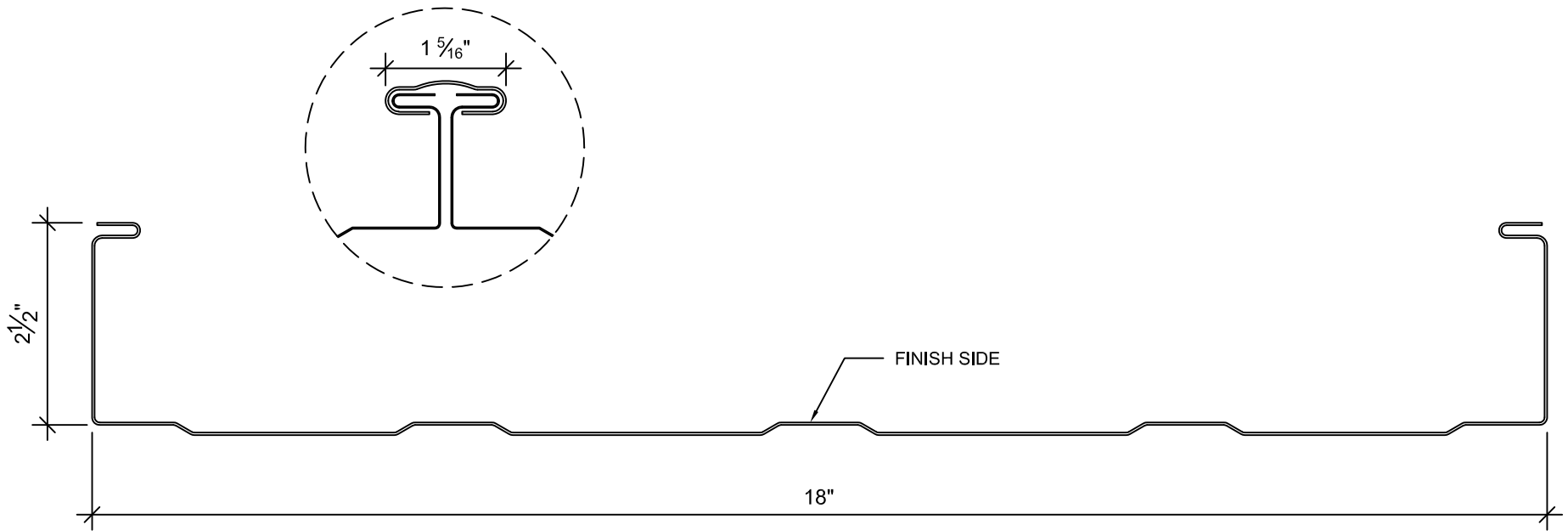


SymmeTry Panel - Striated With Clip Relief

- NOTES:**
1. ALL DIMENSIONS ARE NOMINAL. PANEL PROFILES MAY NOT BE TO SCALE
  2. DIMENSIONS AND ANGLES MAY VARY SLIGHTLY BETWEEN GAUGES.
  3. THE CUSTOMER IS RESPONSIBLE FOR ALL INFORMATION ON THIS DOCUMENT.

NOT TO SCALE

	<b>APPROVED BY:</b> _____	<b>DATE:</b> _____	<b>JOB NO.:</b> _____	SYM2.5-18
	<b>CUSTOMER:</b> _____	<b>JOB NAME:</b> _____		<b>P.N.:</b> -
	<b>COLOR:</b> _____	SMOOTH <input type="checkbox"/> EMBOSSED <input type="checkbox"/>		<b>REV.:</b> JAN-2017
	<b>GAUGE:</b> _____	<b>INSTALLATION:</b> HORIZ. <input type="checkbox"/> VERT. <input type="checkbox"/>		
	<b>BACKSIDE EXPOSED:</b> YES <input type="checkbox"/> NO <input type="checkbox"/>	<b>FACTORY CAULK:</b> YES <input type="checkbox"/> NO <input type="checkbox"/>		



SymmeTry Panel - Pencil Ribs With Clip Relief

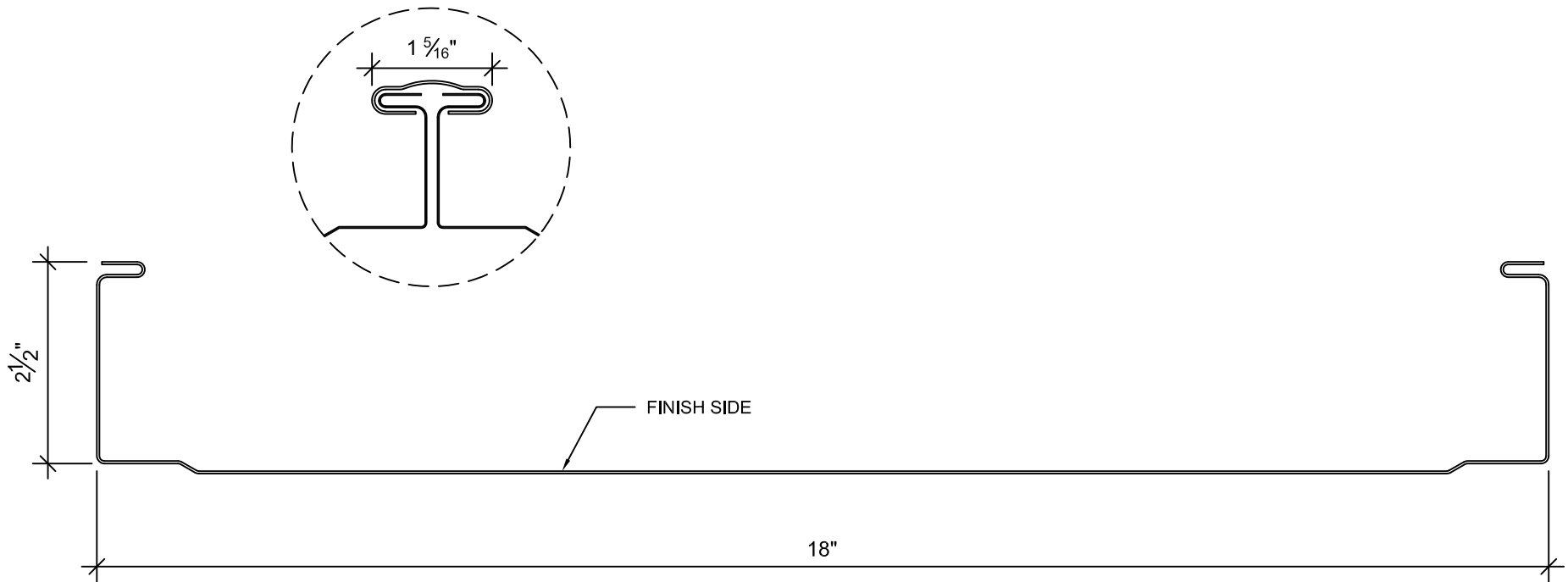
**NOTES:**

1. ALL DIMENSIONS ARE NOMINAL. PANEL PROFILES MAY NOT BE TO SCALE
2. DIMENSIONS AND ANGLES MAY VARY SLIGHTLY BETWEEN GAUGES.
3. THE CUSTOMER IS RESPONSIBLE FOR ALL INFORMATION ON THIS DOCUMENT.

NOT TO SCALE



	<b>APPROVED BY:</b>	DATE:	JOB NO.:	SYM2.5-18
	CUSTOMER:		JOB NAME:	
	COLOR:		SMOOTH <input type="checkbox"/> EMBOSSED <input type="checkbox"/>	P.N.: -
	GAUGE:		<b>INSTALLATION:</b> HORIZ. <input type="checkbox"/> VERT. <input type="checkbox"/>	
	BACKSIDE EXPOSED:	YES <input type="checkbox"/> NO <input type="checkbox"/>	FACTORY CAULK:	YES <input type="checkbox"/> NO <input type="checkbox"/>



SymmeTry Panel With Clip Relief

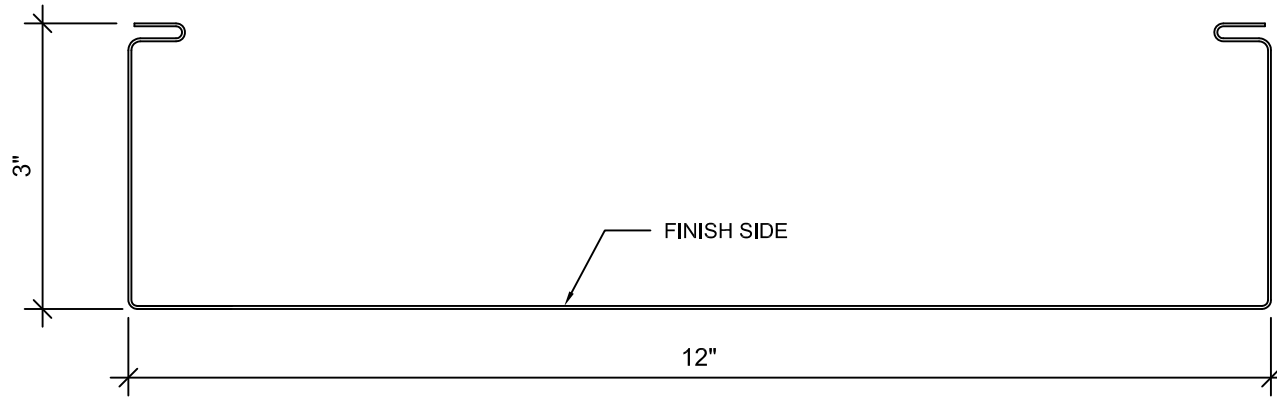
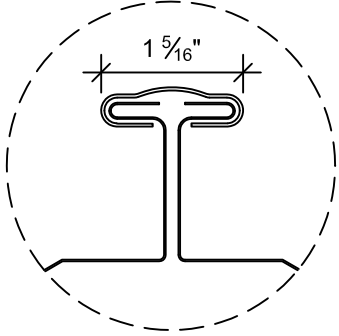
**NOTES:**

1. ALL DIMENSIONS ARE NOMINAL. PANEL PROFILES MAY NOT BE TO SCALE
2. DIMENSIONS AND ANGLES MAY VARY SLIGHTLY BETWEEN GAUGES.
3. THE CUSTOMER IS RESPONSIBLE FOR ALL INFORMATION ON THIS DOCUMENT.

NOT TO SCALE



	<b>APPROVED BY:</b>	<b>DATE:</b>	<b>JOB NO.:</b>	SYM2.5-18
	<b>CUSTOMER:</b>		<b>JOB NAME:</b>	
	<b>COLOR:</b>		SMOOTH <input type="checkbox"/> EMBOSSED <input type="checkbox"/>	P.N.: -
	<b>GAUGE:</b>		<b>INSTALLATION:</b> HORIZ. <input type="checkbox"/> VERT. <input type="checkbox"/>	
	<b>BACKSIDE EXPOSED:</b>	YES <input type="checkbox"/> NO <input type="checkbox"/>	<b>FACTORY CAULK:</b> YES <input type="checkbox"/> NO <input type="checkbox"/>	



SymmeTry Panel With No Clip Relief

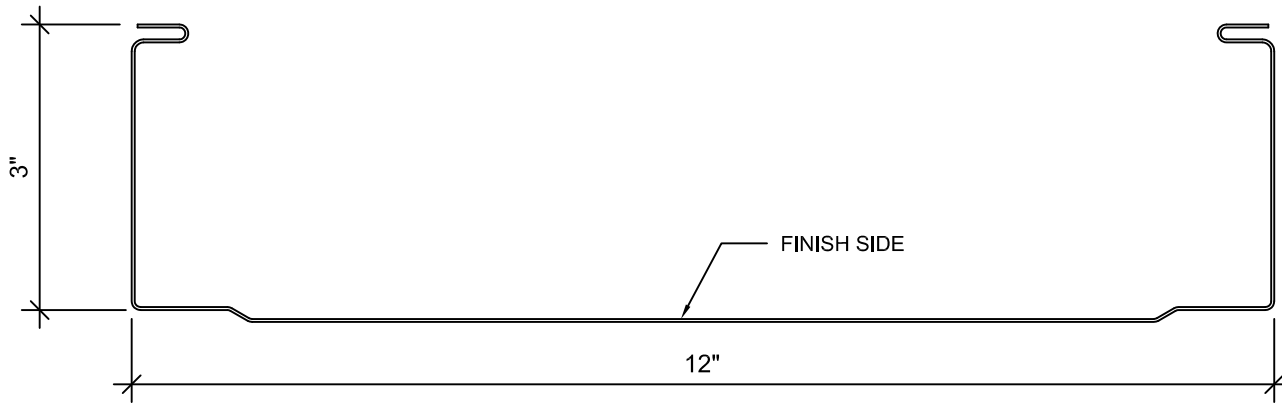
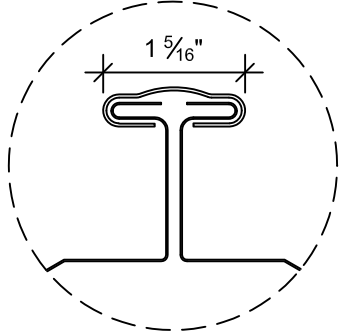
**NOTES:**

1. ALL DIMENSIONS ARE NOMINAL. PANEL PROFILES MAY NOT BE TO SCALE
2. DIMENSIONS AND ANGLES MAY VARY SLIGHTLY BETWEEN GAUGES.
3. THE CUSTOMER IS RESPONSIBLE FOR ALL INFORMATION ON THIS DOCUMENT.

NOT TO SCALE



	<b>APPROVED BY:</b>	DATE:	JOB NO.:	SYM3.0-12
	CUSTOMER:		JOB NAME:	
	COLOR:		SMOOTH <input type="checkbox"/> EMBOSSED <input type="checkbox"/>	P.N.: -
	GAUGE:		<b>INSTALLATION:</b> HORIZ. <input type="checkbox"/> VERT. <input type="checkbox"/>	
	BACKSIDE EXPOSED:	YES <input type="checkbox"/> NO <input type="checkbox"/>	FACTORY CAULK:	YES <input type="checkbox"/> NO <input type="checkbox"/>



SymmeTry Panel With Clip Relief

**NOTES:**

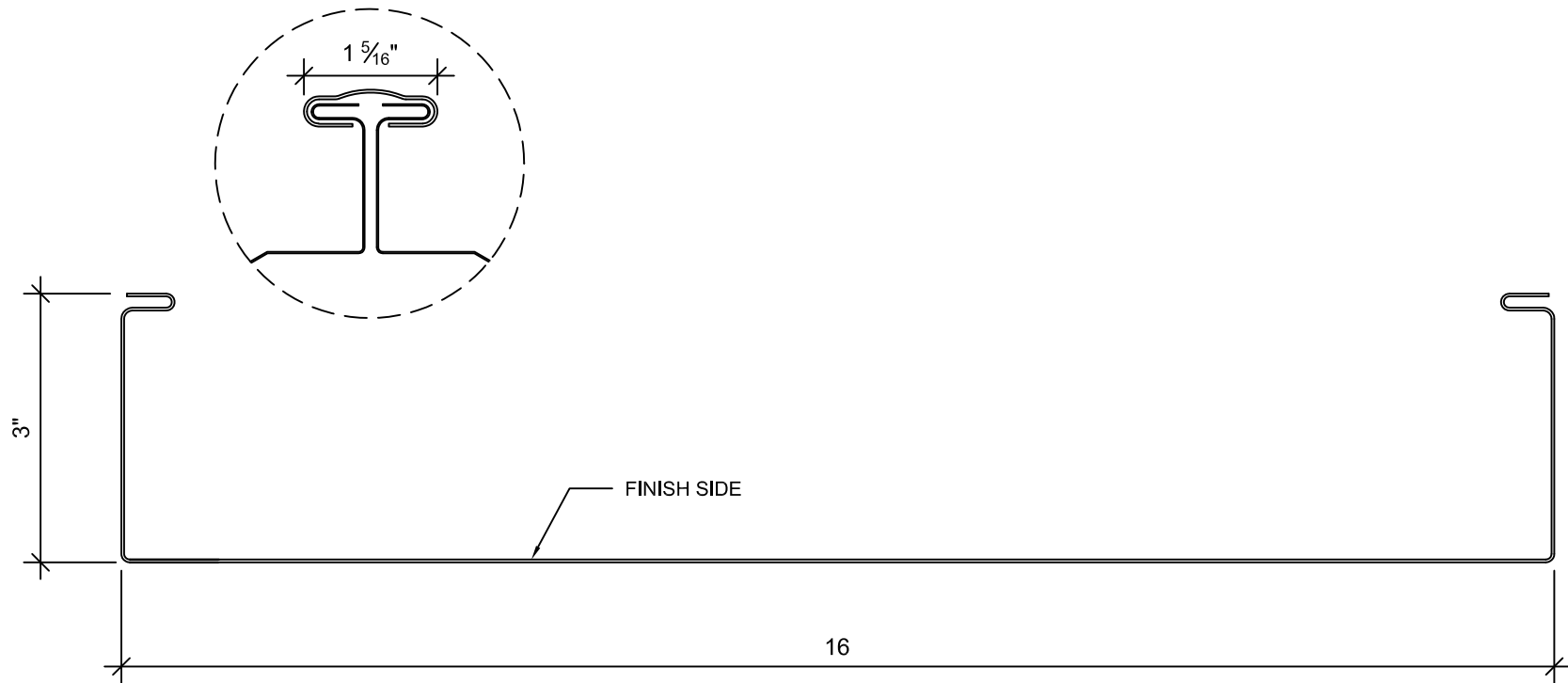
1. ALL DIMENSIONS ARE NOMINAL. PANEL PROFILES MAY NOT BE TO SCALE
2. DIMENSIONS AND ANGLES MAY VARY SLIGHTLY BETWEEN GAUGES.
3. THE CUSTOMER IS RESPONSIBLE FOR ALL INFORMATION ON THIS DOCUMENT.

NOT TO SCALE



	<b>APPROVED BY:</b>	<b>DATE:</b>	<b>JOB NO.:</b>	SYM3.0-12
	<b>CUSTOMER:</b>		<b>JOB NAME:</b>	
	<b>COLOR:</b>		SMOOTH <input type="checkbox"/> EMBOSSED <input type="checkbox"/>	P.N.: -
	<b>GAUGE:</b>		<b>INSTALLATION:</b> HORIZ. <input type="checkbox"/> VERT. <input type="checkbox"/>	
	<b>BACKSIDE EXPOSED:</b>	YES <input type="checkbox"/> NO <input type="checkbox"/>	<b>FACTORY CAULK:</b> YES <input type="checkbox"/> NO <input type="checkbox"/>	





SymmeTry Panel With No Clip Relief

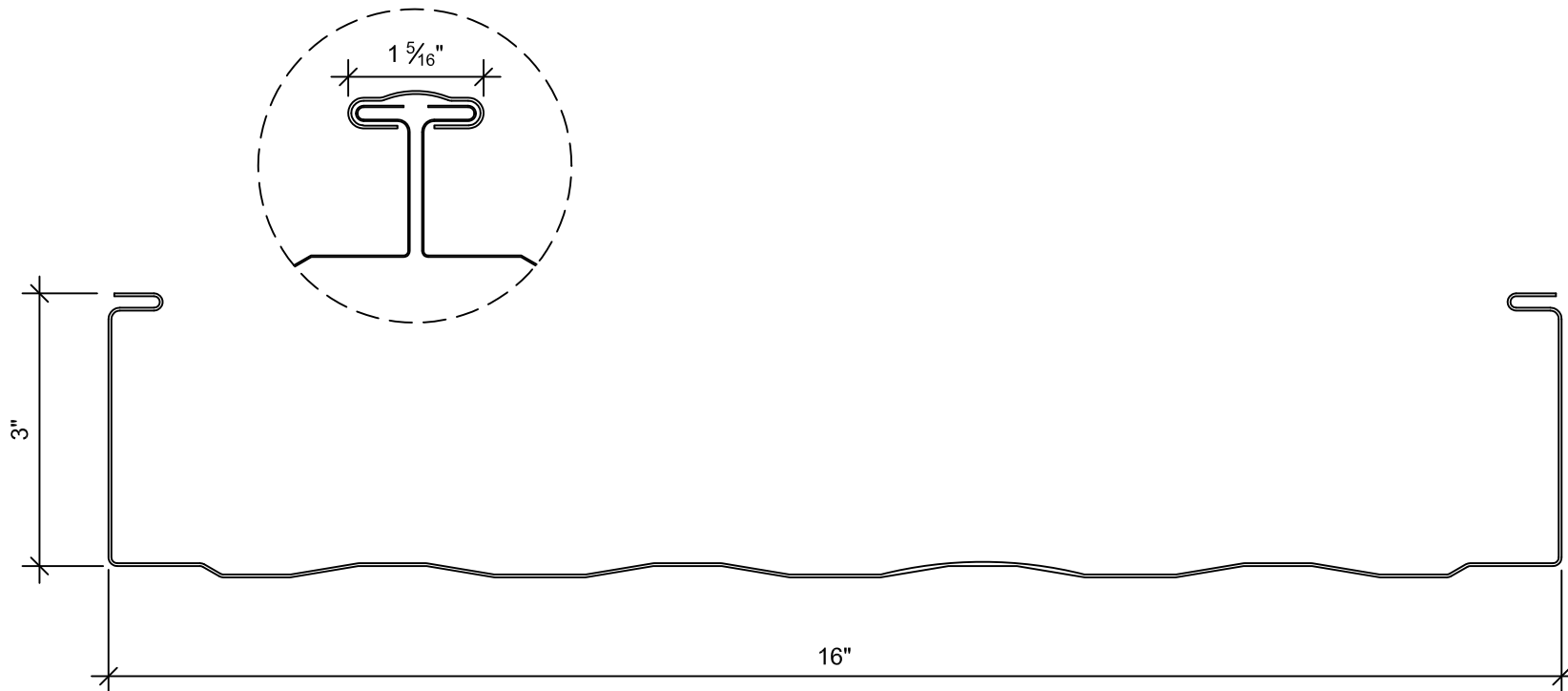
**NOTES:**

1. ALL DIMENSIONS ARE NOMINAL. PANEL PROFILES MAY NOT BE TO SCALE
2. DIMENSIONS AND ANGLES MAY VARY SLIGHTLY BETWEEN GAUGES.
3. THE CUSTOMER IS RESPONSIBLE FOR ALL INFORMATION ON THIS DOCUMENT.

NOT TO SCALE



	<b>APPROVED BY:</b>	<b>DATE:</b>	<b>JOB NO.:</b>	SYM3.0-16
	<b>CUSTOMER:</b>		<b>JOB NAME:</b>	
	<b>COLOR:</b>		SMOOTH <input type="checkbox"/> EMBOSSED <input type="checkbox"/>	P.N.: -
	<b>GAUGE:</b>		<b>INSTALLATION:</b> HORIZ. <input type="checkbox"/> VERT. <input type="checkbox"/>	
	<b>BACKSIDE EXPOSED:</b>	YES <input type="checkbox"/> NO <input type="checkbox"/>	<b>FACTORY CAULK:</b> YES <input type="checkbox"/> NO <input type="checkbox"/>	



**SymmeTry Panel - Striated With Clip Relief**

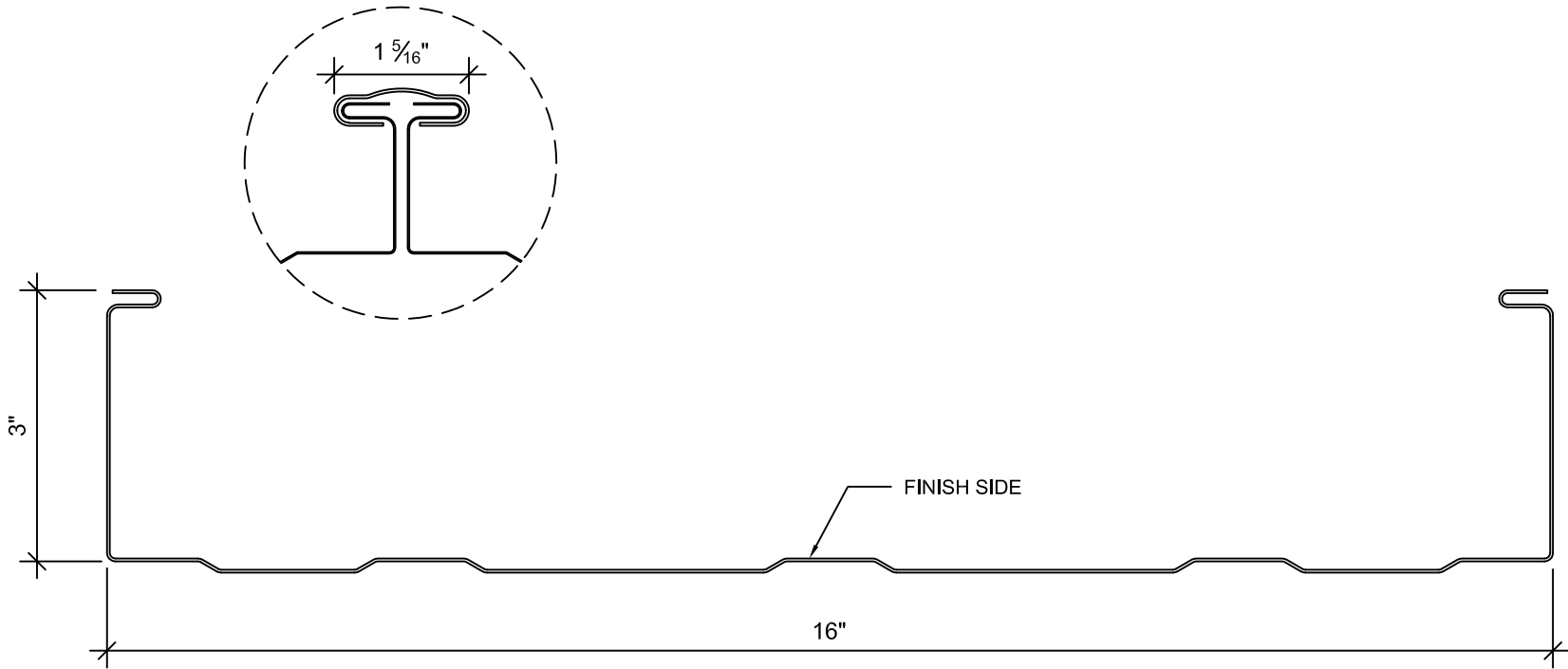
**NOTES:**

1. ALL DIMENSIONS ARE NOMINAL. PANEL PROFILES MAY NOT BE TO SCALE
2. DIMENSIONS AND ANGLES MAY VARY SLIGHTLY BETWEEN GAUGES.
3. THE CUSTOMER IS RESPONSIBLE FOR ALL INFORMATION ON THIS DOCUMENT.

NOT TO SCALE

**Morin**  
A Kingspan Group Company

<b>APPROVED BY:</b>	DATE:	JOB NO.:	SYM3.0-16
CUSTOMER:		JOB NAME:	
COLOR:		SMOOTH <input type="checkbox"/> EMBOSSED <input type="checkbox"/>	P.N.: -
GAUGE:		<b>INSTALLATION:</b> HORIZ. <input type="checkbox"/> VERT. <input type="checkbox"/>	REV.: JAN-2017
BACKSIDE EXPOSED:	YES <input type="checkbox"/> NO <input type="checkbox"/>	FACTORY CAULK: YES <input type="checkbox"/> NO <input type="checkbox"/>	



SymmeTry Panel - Pencil Ribs With Clip Relief

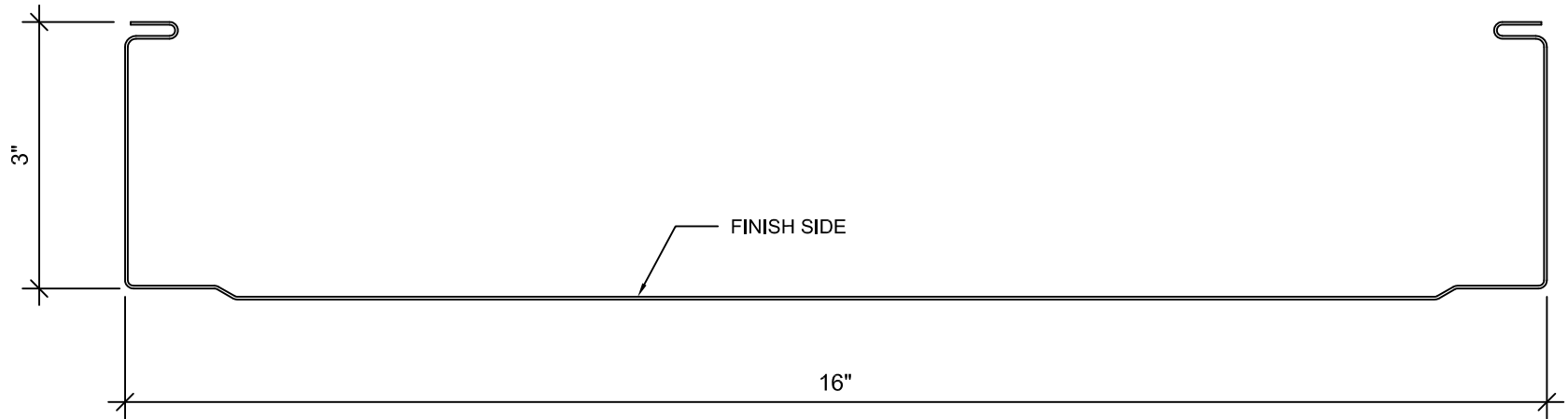
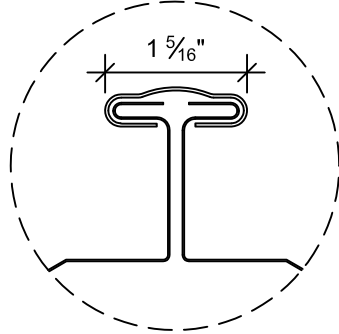
**NOTES:**

1. ALL DIMENSIONS ARE NOMINAL. PANEL PROFILES MAY NOT BE TO SCALE
2. DIMENSIONS AND ANGLES MAY VARY SLIGHTLY BETWEEN GAUGES.
3. THE CUSTOMER IS RESPONSIBLE FOR ALL INFORMATION ON THIS DOCUMENT.

NOT TO SCALE



	<b>APPROVED BY:</b>	DATE:	JOB NO.:	SYM3.0-16
	CUSTOMER:		JOB NAME:	
	COLOR:		SMOOTH <input type="checkbox"/> EMBOSSED <input type="checkbox"/>	P.N.:    -
	GAUGE:		<b>INSTALLATION:</b> HORIZ. <input type="checkbox"/> VERT. <input type="checkbox"/>	
	BACKSIDE EXPOSED:	YES <input type="checkbox"/> NO <input type="checkbox"/>	FACTORY CAULK: YES <input type="checkbox"/> NO <input type="checkbox"/>	

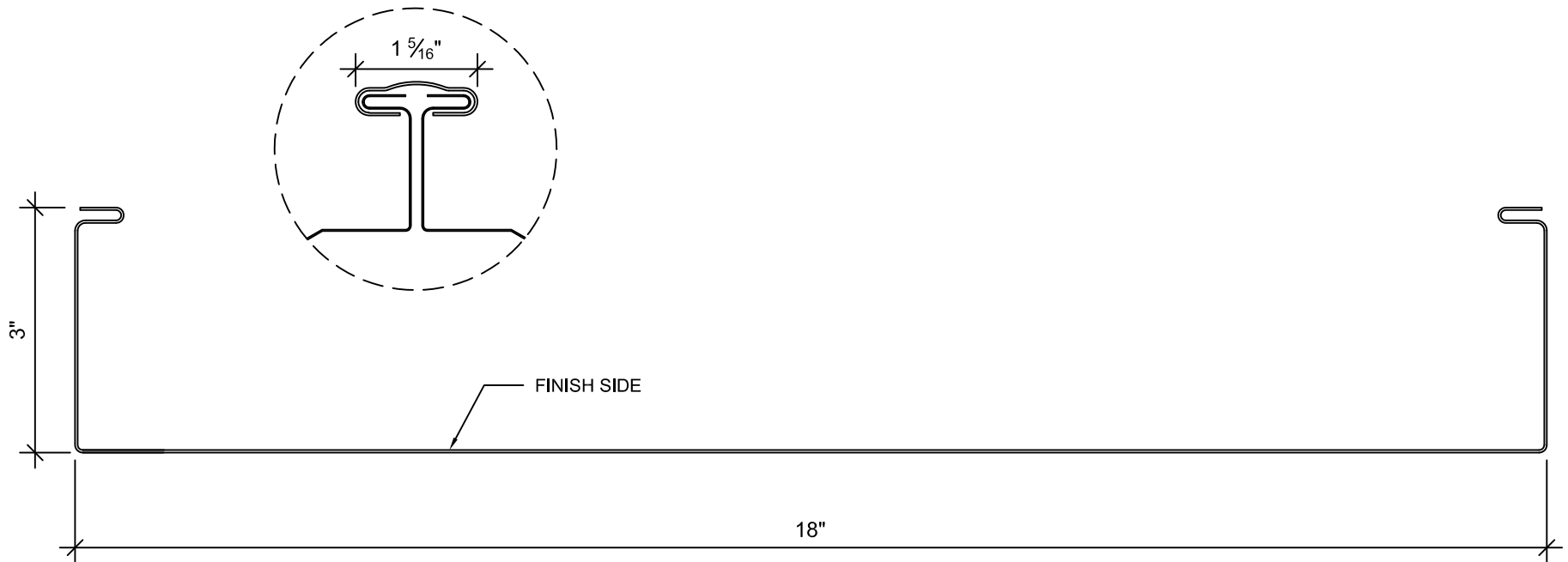


**SymmeTry Panel With Clip Relief**

- NOTES:**
1. ALL DIMENSIONS ARE NOMINAL. PANEL PROFILES MAY NOT BE TO SCALE
  2. DIMENSIONS AND ANGLES MAY VARY SLIGHTLY BETWEEN GAUGES.
  3. THE CUSTOMER IS RESPONSIBLE FOR ALL INFORMATION ON THIS DOCUMENT.

NOT TO SCALE

	<b>APPROVED BY:</b> _____	<b>DATE:</b> _____	<b>JOB NO.:</b> _____	SYM3.0-16
	<b>CUSTOMER:</b> _____	<b>JOB NAME:</b> _____	<b>SMOOTH</b> <input type="checkbox"/> <b>EMBOSSSED</b> <input type="checkbox"/>	<b>P.N.:</b> -
	<b>COLOR:</b> _____	<b>INSTALLATION:</b> HORIZ. <input type="checkbox"/> VERT. <input type="checkbox"/>	<b>FACTORY CAULK:</b> YES <input type="checkbox"/> NO <input type="checkbox"/>	<b>REV.:</b> JAN-2017
	<b>GAUGE:</b> _____	<b>BACKSIDE EXPOSED:</b> YES <input type="checkbox"/> NO <input type="checkbox"/>		



SymmeTry Panel With No Clip Relief

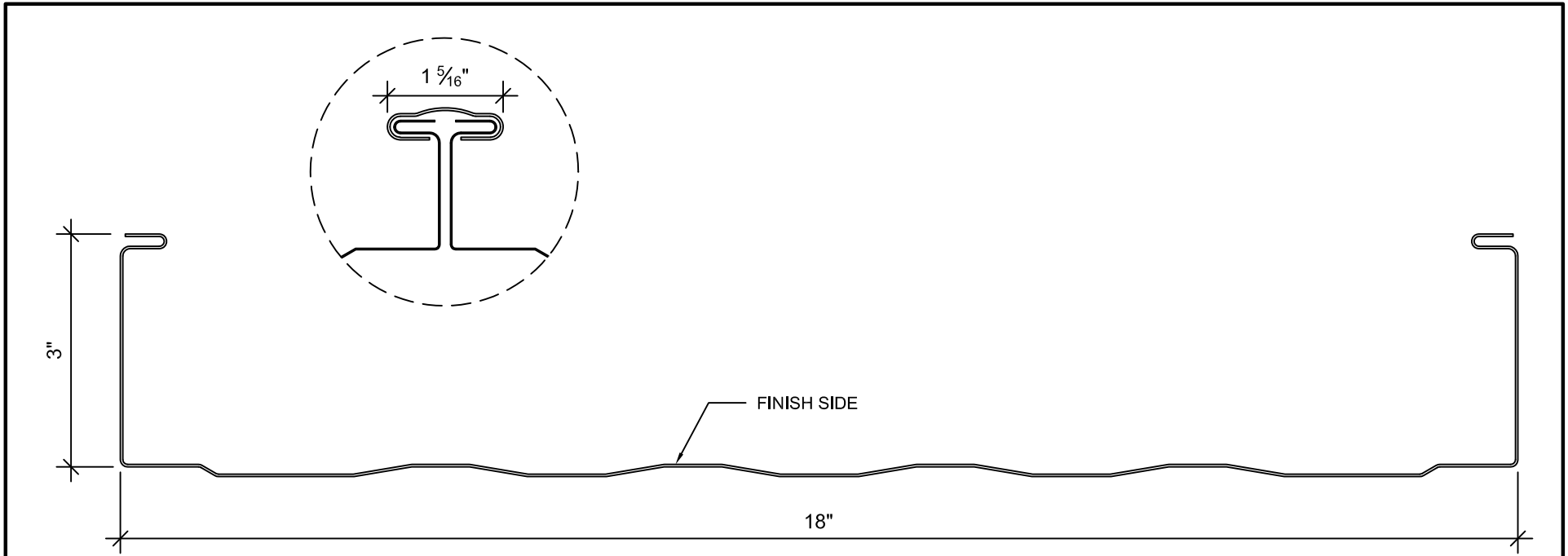
**NOTES:**

1. ALL DIMENSIONS ARE NOMINAL. PANEL PROFILES MAY NOT BE TO SCALE
2. DIMENSIONS AND ANGLES MAY VARY SLIGHTLY BETWEEN GAUGES.
3. THE CUSTOMER IS RESPONSIBLE FOR ALL INFORMATION ON THIS DOCUMENT.

NOT TO SCALE



	<b>APPROVED BY:</b>	DATE:	JOB NO.:	SYM3.0-18
	CUSTOMER:		JOB NAME:	
	COLOR:		SMOOTH <input type="checkbox"/> EMBOSSED <input type="checkbox"/>	P.N.:    -
	GAUGE:		<b>INSTALLATION:</b> HORIZ. <input type="checkbox"/> VERT. <input type="checkbox"/>	
	BACKSIDE EXPOSED:	YES <input type="checkbox"/> NO <input type="checkbox"/>	FACTORY CAULK:	YES <input type="checkbox"/> NO <input type="checkbox"/>

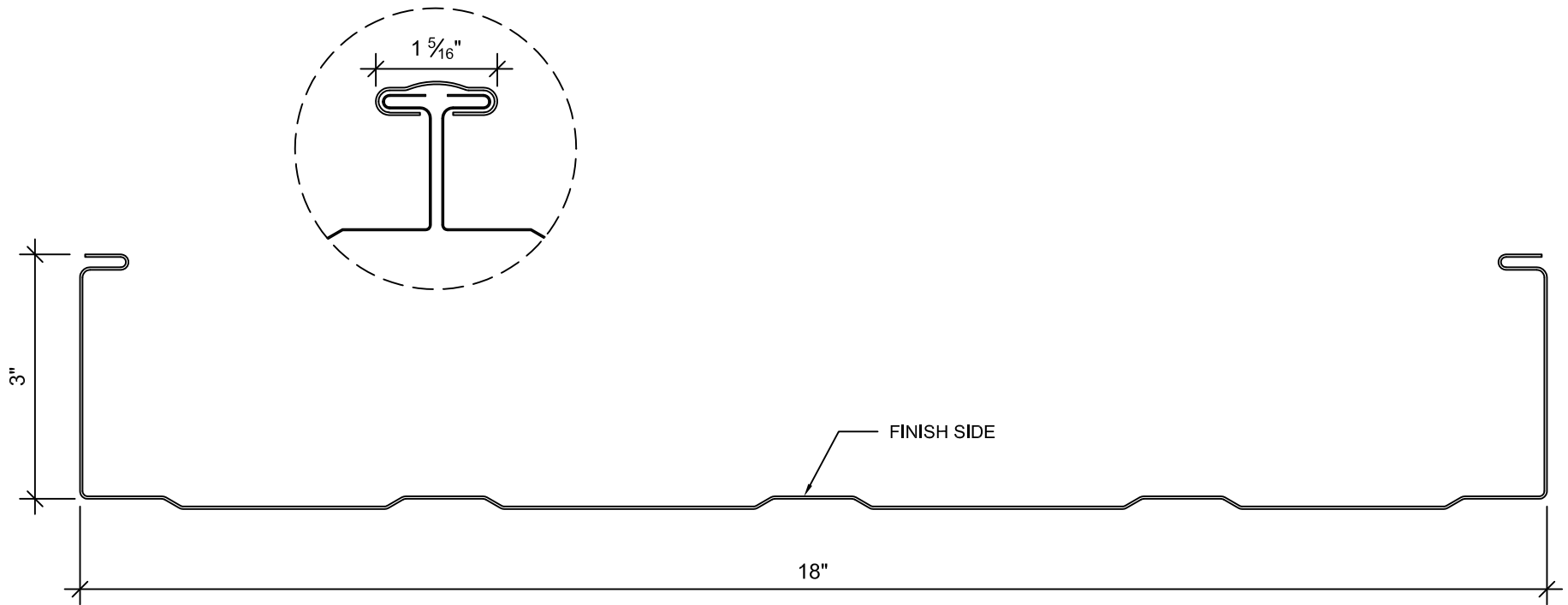


**SymmeTry Panel - Striated With Clip Relief**

- NOTES:**
1. ALL DIMENSIONS ARE NOMINAL. PANEL PROFILES MAY NOT BE TO SCALE
  2. DIMENSIONS AND ANGLES MAY VARY SLIGHTLY BETWEEN GAUGES.
  3. THE CUSTOMER IS RESPONSIBLE FOR ALL INFORMATION ON THIS DOCUMENT.

NOT TO SCALE

	<b>APPROVED BY:</b> _____	<b>DATE:</b> _____	<b>JOB NO.:</b> _____	SYM3.0-18
	<b>CUSTOMER:</b> _____	<b>JOB NAME:</b> _____		<b>P.N.:</b> -
	<b>COLOR:</b> _____	SMOOTH <input type="checkbox"/> EMBOSSED <input type="checkbox"/>		<b>REV.:</b> JAN-2017
	<b>GAUGE:</b> _____	<b>INSTALLATION:</b> HORIZ. <input type="checkbox"/> VERT. <input type="checkbox"/>		
	<b>BACKSIDE EXPOSED:</b> YES <input type="checkbox"/> NO <input type="checkbox"/>	<b>FACTORY CAULK:</b> YES <input type="checkbox"/> NO <input type="checkbox"/>		



SymmeTry Panel - Pencil Ribs With Clip Relief

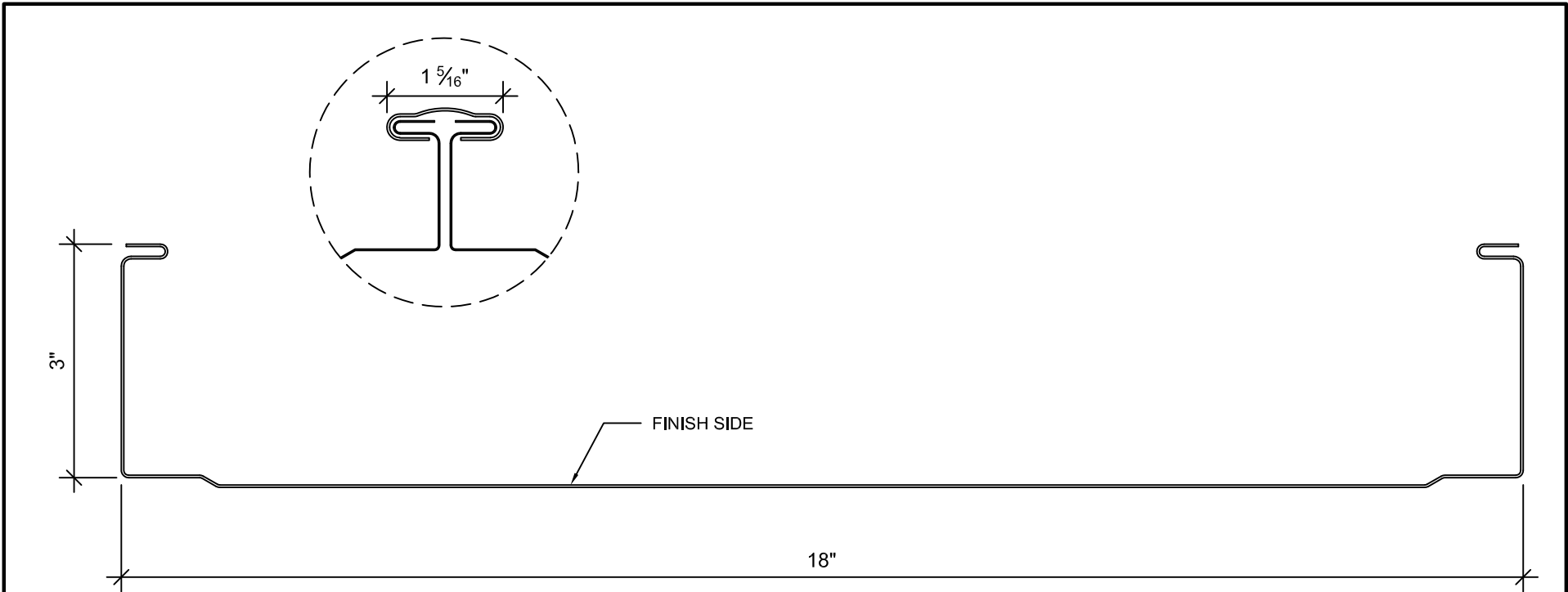
NOTES:

1. ALL DIMENSIONS ARE NOMINAL. PANEL PROFILES MAY NOT BE TO SCALE
2. DIMENSIONS AND ANGLES MAY VARY SLIGHTLY BETWEEN GAUGES.
3. THE CUSTOMER IS RESPONSIBLE FOR ALL INFORMATION ON THIS DOCUMENT.

NOT TO SCALE



	<b>APPROVED BY:</b>	DATE:	JOB NO.:	SYM3.0-18
	CUSTOMER:		JOB NAME:	
	COLOR:		SMOOTH <input type="checkbox"/> EMBOSSED <input type="checkbox"/>	P.N.: -
	GAUGE:		<b>INSTALLATION:</b> HORIZ. <input type="checkbox"/> VERT. <input type="checkbox"/>	
	BACKSIDE EXPOSED:	YES <input type="checkbox"/> NO <input type="checkbox"/>	FACTORY CAULK: YES <input type="checkbox"/> NO <input type="checkbox"/>	



SymmeTry Panel With Clip Relief

- NOTES:**
1. ALL DIMENSIONS ARE NOMINAL. PANEL PROFILES MAY NOT BE TO SCALE
  2. DIMENSIONS AND ANGLES MAY VARY SLIGHTLY BETWEEN GAUGES.
  3. THE CUSTOMER IS RESPONSIBLE FOR ALL INFORMATION ON THIS DOCUMENT.

NOT TO SCALE

	<b>APPROVED BY:</b> _____	<b>DATE:</b> _____	<b>JOB NO.:</b> _____	SYM3.0-18
	<b>CUSTOMER:</b> _____	<b>JOB NAME:</b> _____	<b>SMOOTH</b> <input type="checkbox"/> <b>EMBOSSSED</b> <input type="checkbox"/>	<b>P.N.:</b> -
	<b>COLOR:</b> _____	<b>GAUGE:</b> _____	<b>INSTALLATION:</b> HORIZ. <input type="checkbox"/> VERT. <input type="checkbox"/>	<b>REV.:</b> JAN-2017
	<b>BACKSIDE EXPOSED:</b> YES <input type="checkbox"/> NO <input type="checkbox"/>	<b>FACTORY CAULK:</b> YES <input type="checkbox"/> NO <input type="checkbox"/>		